



KEY FEATURES



High Performance CPU

Intel® Coffee Lake Core i7 processor



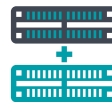
802.3af PoE Ports

4 x RJ45 type PoE ports at 15W



AI Accelerated

Support up to 150W GPU MXM module



Scalability

3 x miniPCIe and 2 x M.2 slots



Support 5G Communication

Support M.2 B key 3042/3052 5G-NR module

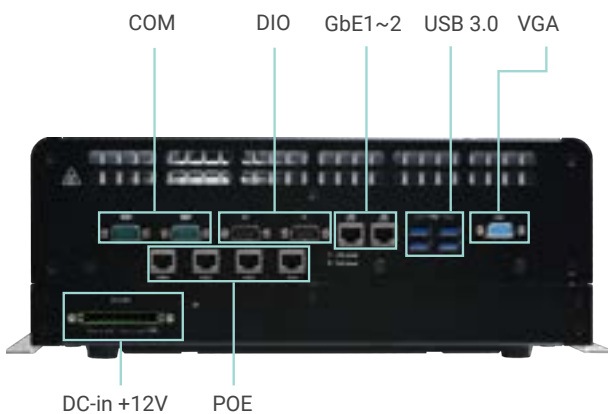


Wide-Temperature

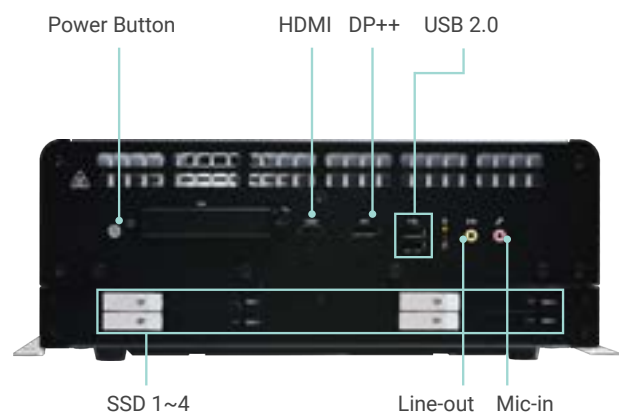
Up to -25°C~70°C operation without active fan



PANEL

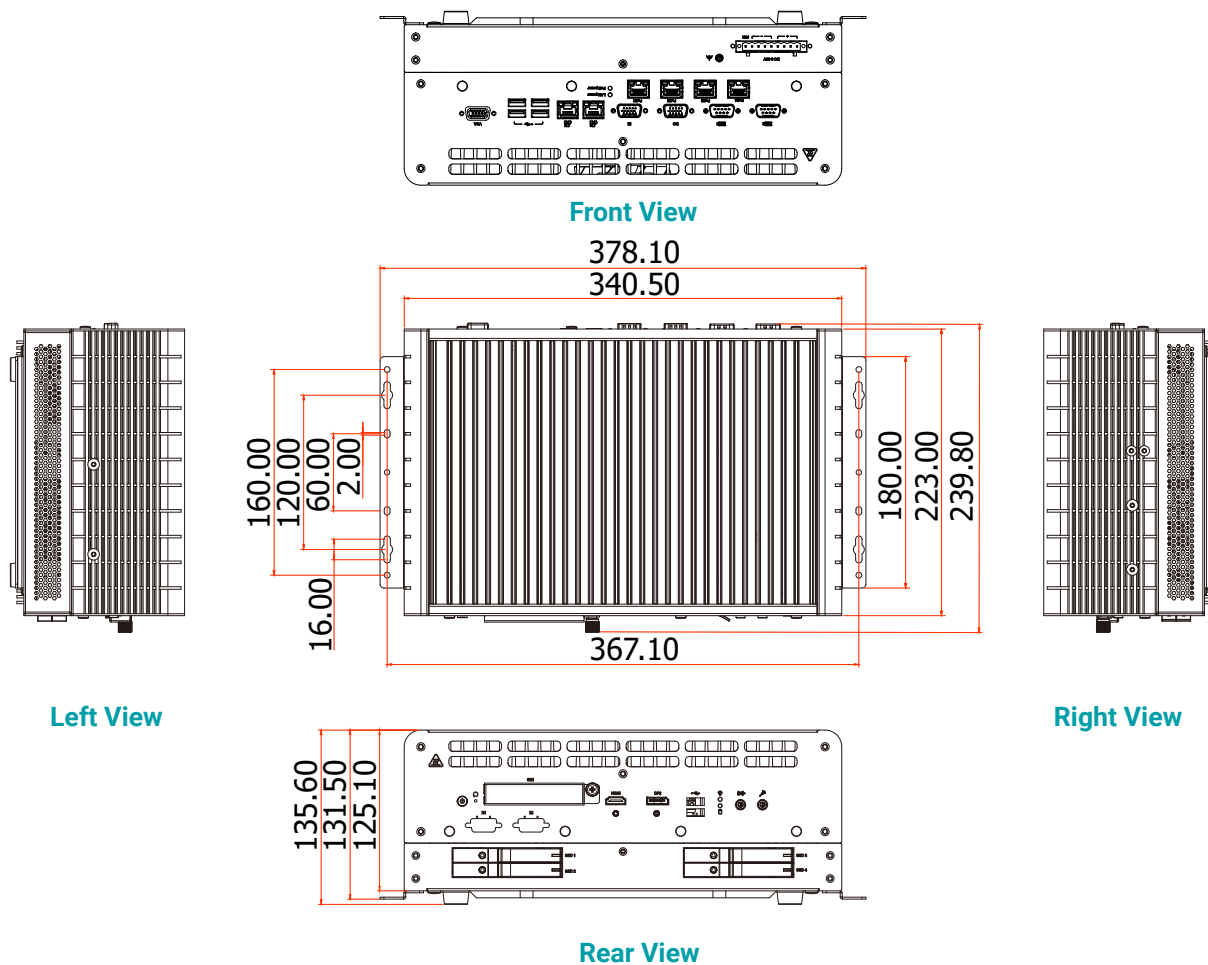


Front View

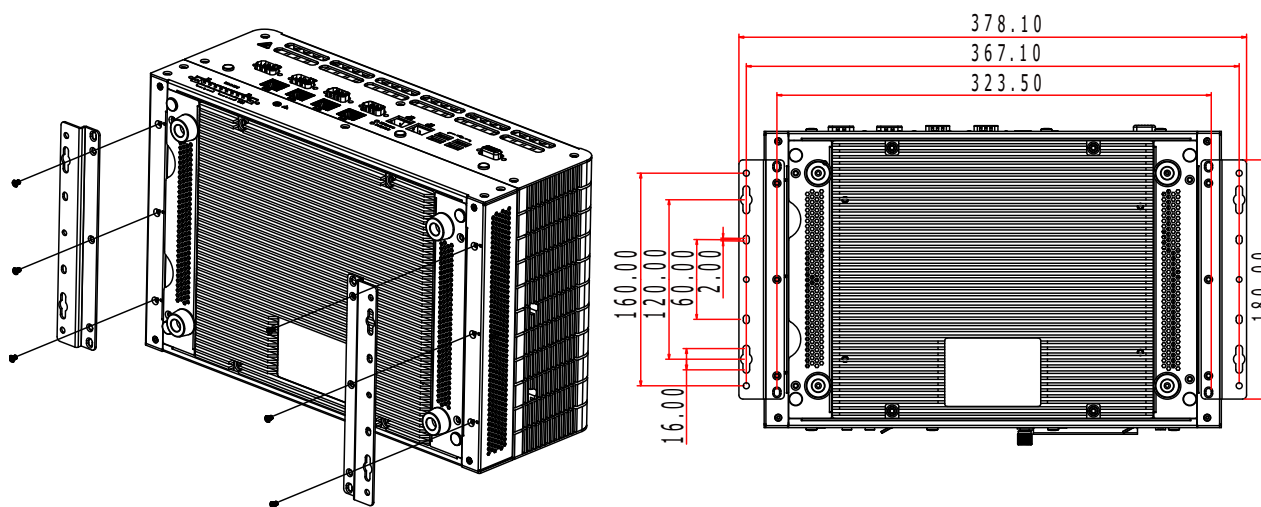


Rear View

DIMENSIONS



WALL MOUNTING



SPECIFICATION

SYSTEM	Processor	8th/9th Generation Intel® Core™ Processors, LGA 1151 Intel® Core™ i7-9700TE 8C/8T 1.8GHz 12MB cache, TDP 35W Intel® Core™ i7-8700T 6C/12T 2.4GHz 12MB cache, TDP 35W Intel® Core™ i7-9700E 8C/8T 2.6GHz 12MB cache, TDP 65W Intel® Core™ i5-9500TE 6C/6T 2.2GHz 9MB cache, TDP 35W (Other CPU support upon request)
	Chipset	Intel® Q370 Chipset
	Memory	Dual Channel DDR4 2666/2400 MHz by SODIMMs up to 64GB
	BIOS	AMI SPI 128Mbit
GRAPHICS	Controller	Intel® HD Graphics
	Display	1 x VGA (display out by DB15 connector) 1 x HDMI (with screw lock) 1 x DP++ (standard display port connector DIP type with screw lock) support NVIDIA Optimus technology VGA: resolution up to 1920x1200@60Hz HDMI: resolution up to 4096x2160@24Hz DP++: resolution up to 4096x2304@60Hz
AI ACCELERATOR	Interface	MXM Type A, B, C on x16 PCIe 3.0
	Controller	Nvidia Quadro embedded series
STORAGE	External	4 x Swappable 2.5" 7mm SSD storage bays with lock
	Internal	1 x M.2 2280 M key supports SATA SSD
EXPANSION	Interface	1 x Half-size Mini PCIe for WiFi/BT modules, with PCIe x1 & USB signal 2 x Full-size Mini PCIe support PCIe x1 & USB 2.0 signal with SIM of each (All SIM Cards can be external accessible with cover against vibration) 1 x M.2 B key supports 3042, 3052 devices or 5G module on PCIe x1, USB2.0, USB3.0 signal with SIM slot (SIM card can be external accessible with cover) 1 x M.2 2280 M key supports 2242, 2260 & 2280 devices (PCIe x4 & SATA signal, support boot up function)
AUDIO	Audio Codec	Realtek ALC888
	Interface	1 x Mic-in 1 x Line-out
ETHERNET	Controller	5 x Intel® I210IT NIC (10/100/1000Mbps) 1 x Intel® I219LM with iAMT11.0 PCIe (10/100/1000Mbps) (only Core i7/i5 supports iAMT)
	Interface	2 x RJ45 GbE 4 x 802.3af 15W PoE ports
LED	Indicators	1 x Power LED (green) 1 x Storage LED (red) 1 x LED
FRONT I/O	PoE	4 x PoE 802.3af (15.4w) ports at RJ45 connectors (PSE side) NOT support Wake on Lan
	Ethernet	2 x GbE (RJ-45) support wake on Lan
	Serial	2 x High speed full RS-232/422/485 (DB-9) 2 x RS-232/422/485 (onboard)
	DIO	1 x 8-bit isolated DI port by DB-9 connector 1 x 8-bit isolated DO port by DB-9 connector 2KV isolation
	Display	1 x VGA display out by DB-15 connector
	USB	4 x USB 3.0 (type A)
	Power-in	1 x 9-pin 5.0mm terminal block
REAR I/O	USB	2 x USB 2.0 (type A)
	Display	1 x HDMI 1 x DP++
	Audio	1 x Mic-in 1 x Line-out by 3.5mm 3P phone jack
	Buttons	1 x Power button 1 x Reset button
	SIM	3 x SIM sockets (external accessible with cover)
	Antenna Holes	7 x SMA type antenna holes for GNSS, WWAN/LTE MIMO, WLAN/ BT MIMO, 5G
WATCHDOG TIMER	Output & Interval	System reset, programmable via software from 1 to 255 seconds
SECURITY	TPM	TPM 2.0
POWER	Type	+12VDC
	Connector	9-pin 5.0mm terminal block
OS SUPPORT	Microsoft	Windows 10 IoT Enterprise 64 Bit
	Linux	Ubuntu 18.04
MECHANISM	Construction	Metal + Aluminum
	Mounting	Wall mount
	Dimensions (W x H x D)	340.5 x 132 x 223mm (3U height, excluding rubber foot)
	Weight	9.85 kg

SPECIFICATION

ENVIRONMENT	Operating Temperature	-25°C to 70°C with when CPU+GPU<100W, up to +85°C for 10min -25°C to 55°C with when CPU+GPU<160W, up to +70°C for 10min CPU & GPU will be throttling at high temperature
	Storage Temperature	-40 to 85°C
	Relative Humidity	10% to 90% (non-condensing)
STANDARDS AND CERTIFICATIONS	Shock (SSD/HDD)	IEC 60068-2-27 3 g, 11 ms, 18 Shock ±X, ±Y, ±Z (each axis 3 times) MIL-STD-810G Method 516.6, Procedure 1, OP:10G 11ms, Non-OP: 40G 11ms (Test by SSD, HDD is not support)
	Vibration	IEC 60068-2-64 Frequency: 5 Hz to 500 Hz Acceleration: 1 g rms Test Axis: X, Y, Z axis Test Time: 30 mins (Each axis), total 90 mins MIL-STD-810G Method 514.6C-3, Category 4 Composite wheeled vehicle Table 514.6C-VI
	IP rating	IP40
	Certification	CE, FCC Class A, UKCA, RoHS

COMPATIBLE MXM MODULES

GPU	MXM Type	Architecture	Memory	TFLOPS	TGP
T1000	A	Turing	4GB GDDR6	2.6	50W
RTX 3000	B	Turing	6GB GDDR6	5.3	80W
RTX A500	A	Ampere	4GB GDDR6	6.54	35W
RTX A1000	A	Ampere	4GB GDDR6	6.66	60W
RTX A2000	A	Ampere	8GB GDDR6 with ECC	8.64	60W
RTX A4500	B+	Ampere	16GB GDDR6 with ECC	17.66	115W

OPTIONAL ITEMS

Optional Items	Part Number	Description
2.5" SSD	785-S251TBG	2.5" SATA SSD, 1TB MLC, -40 to 85°C, RoHS
	785-S25512G	2.5" SATA SSD, 512GB MLC, -40 to 85°C, RoHS
	785-S25256G	2.5" SATA SSD, 256GB MLC, -40 to 85°C, RoHS
	785-S25128G	2.5" SATA SSD, 128GB MLC, -40 to 85°C, RoH
M.2 SATA SSD	785-M2SATA64G	64GB, M.2 2280 SSD, SATA3 B+M Key, MLC, Wide Temp.
	785-M2SATA128G	128GB, M.2 2280 SSD, SATA3 B+M Key, MLC, Wide Temp.
	785-M2SATA256G	256GB, M.2 2280 SSD, SATA3 B+M Key, MLC, Wide Temp.
	785-M2SATA512G	512GB, M.2 2280 SSD, SATA3 B+M Key, 3D TLC, PE: 3K, 30u" -20~75°C
Memory	138-580004-104G	8GB DDR4 2666Mhz SO-DIMM 1Rx8 IND 1Gx8 CL19 1.2V
	138-540002-121G	4GB DDR4 2666Mhz SO-DIMM, -40 to 85C
WiFi/BT module kit	761-AP1235-000G	WiFi/Bluetooth Module ENL-R8852BE, antenna *2, 200mm SMA cables*2, Mini PCIe Bracket, screws
LTE module kit	761-RC3000-001G	EG25GGB CAT4 miniPCIe module, antenna*2, 300mm SMA cables*2
5G module kit	761-RC3000-100G	RM520N-GL-M2 M.2 module, antenna*4, 184mm SMA cables *4
M12 Cable	A81-005038-054G	8-pin M12 X-coded to RJ45 PoE cable
CAN bus module	770-MPE21-100G	MPE-CAN2 MiniPCIe Full CAN Module Card Asssembly
Power Adapter	671-133001-000G	360W Meanwell GST360A,Input:85~264V,Output:12V/27.5A,220x95x46mm,L=1000mm, C8P
Power Cable	A81-004277-016G	HSG 2*4P/4.2mm L=100mm, UL1007, 18AWG

PACKING LIST

• 1 EC300-CS system unit
• 1 Power connector
• 1 Mounting bracket