

# IDP156-MS

15.6" Industrial Touch Monitor

## KEY FEATURES

### Two Types Touch

Projected Capacitive Multi-touch / Resistive Touch

### IP Rating

IP65 Front Panel

### Support 3 Signal Interfaces

VGA/DVI/HDMI

### Support Modular Extended Display

Wifi Display

### Various Mounting Type

VESA Mount 75 / Panel Mount

### Advanced Voltage

Support USB Type C



## PANEL

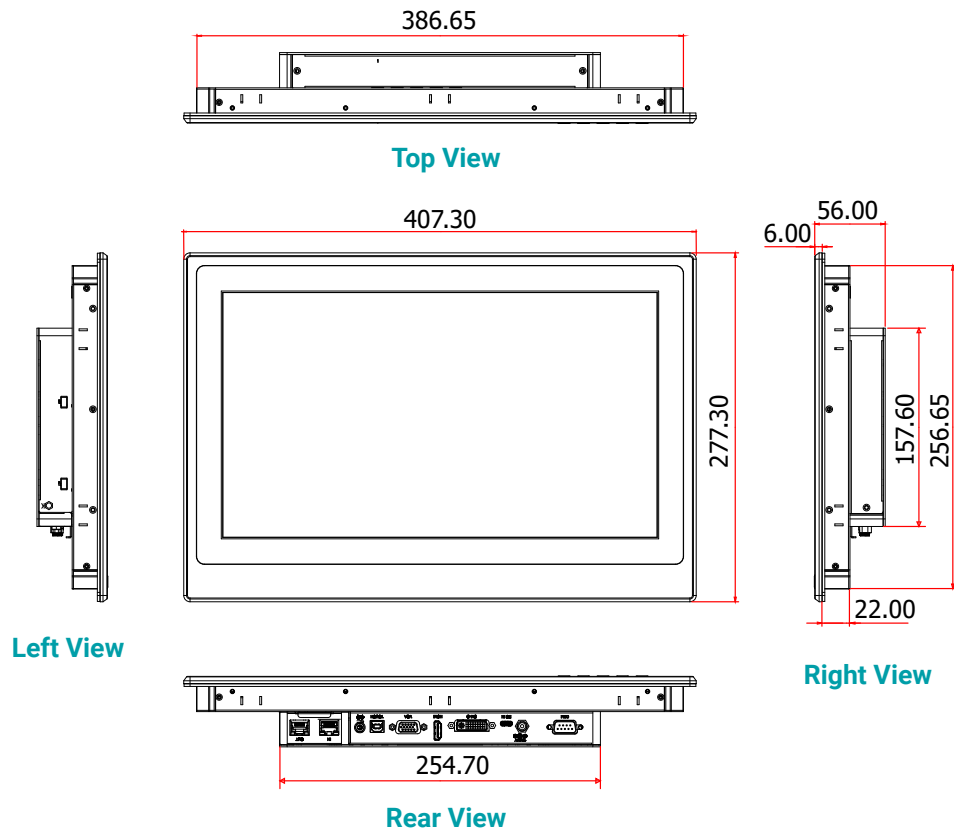


Front View



Rear View

## DIMENSIONS



## SPECIFICATION

<b>DISPLAY AND TOUCH SCREEN</b>	<b>Display</b>	15.6" TFT LCD Monitor	Projected Capacitive Multi-touch / Resistive Touch
	<b>Max. Resolution</b>	1366 x 768	
	<b>Brightness</b>	400 cd/m <sup>2</sup>	
	<b>Contrast</b>	800 : 1	
	<b>Active Area</b>	344.232mm x 193.536mm (H x V)	
	<b>Response Time</b>	10ms	
	<b>View Angle</b>	170/130	
	<b>Backlight Lifetime</b>	50,000 Hrs LED Backlight	
<b>BOTTOM I/O</b>	<b>USB</b>	1 x USB port (touch to external PC)	
	<b>Display</b>	1 x VGA 1 x DVI-D 1 x HDMI	
	<b>Audio</b>	1 x Line-in	
	<b>External Display (opt.)</b>	Wifi Display	
<b>POWER</b>	<b>Type</b>	20V USB Type C VDC Input / 12 to 24 VDC Input with DC Jack	
<b>ENVIRONMENT</b>	<b>Operating Temperature</b>	0°C ~ 70°C	
	<b>Storage Temperature</b>	-30°C ~ 70°C	
	<b>Relative Humidity</b>	90% RH@ 60°C, 240Hrs (non-condensing)	
<b>MECHANISM</b>	<b>IP Rating</b>	IP65 Front Panel	
	<b>Construction</b>	Aluminum Front Bezel	
	<b>Dimensions (W x H x D)</b>	407.3 x 227.3 x 56 (mm)	
	<b>Weight</b>	3.9 kg	
<b>OTHER</b>	<b>OSD Keypad</b>	Multi-language OSD	
	<b>Speaker</b>	2 x 3W	
<b>CERTIFICATIONS</b>	<b>Certifications</b>	CE, FCC, UKCA, RoHS	

## ORDERING INFORMATION

Model Name	Part Number	Description
IDP156P-C20	750-IP1560-000G	IDP156P-C20: 15.6" TFT WVGA Monitor with Projected Capacitive Touch, 500nits, VGA/DVI-D/HDMI, USB Type C 20VDC input, F/G SYSTEM, RoHS
IDP156P-W24	750-IP1560-100G	IDP156P-W24: 15.6" TFT WVGA Monitor with Projected Capacitive Touch, 500nits, VGA/DVI-D/HDMI, 12 to 24VDC input, F/G SYSTEM, RoHS
IDP156R-C20	750-IP1560-200G	IDP156R-C20: 15.6" TFT WVGA Monitor with Resistive Touch, 500nits, VGA/DVI-D/HDMI, USB Type C 20VDC input, F/G SYSTEM, RoHS
IDP156R-W24	750-IP1560-300G	IDP156R-W24: 15.6" TFT WVGA Monitor with Resistive Touch, 500nits, VGA/DVI-D/HDMI, 12 to 24VDC input, F/G SYSTEM, RoHS
DM-WIFI	750-DMWIFI0-000G	External Wifi Display Module

## PACKING LIST

1 IDP156-MS Monitor
1 Audio Cable
1 VGA Cable
1 USB Cable
1 Quick Guide