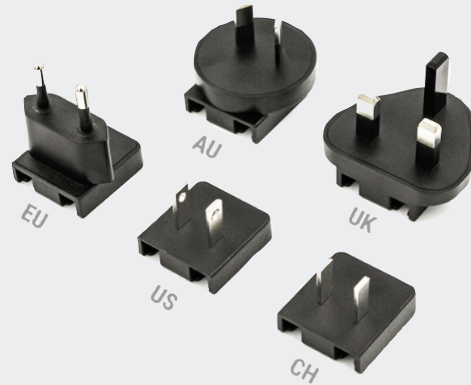


SL POWER KT1001

Blade Kit for SLE Product Families



Advanced Energy's SL Power KT1001 series is suitable for SLE product family, and blade kits includes five models numbers.

AT A GLANCE

Suitable Power Supply

SLE06

SLE12

SLE18

SLE24

SLE36

SLE60

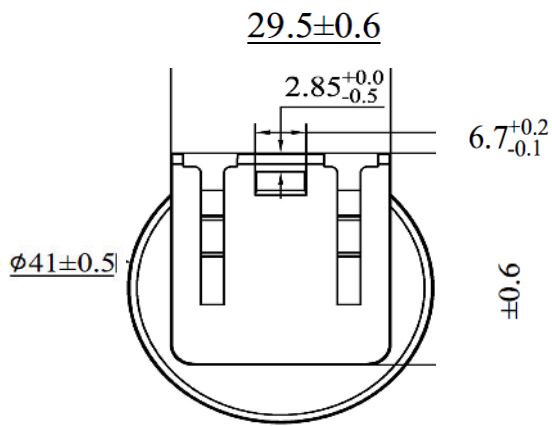
SPECIAL FEATURES

- Wall Mount
- Output voltage range 6 to 36 VDC
- Maximum output power 60 W
- Efficiency 45% typical
- 3 Year Warranty

SAFETY

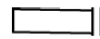
- IEC/EN/UL60601-1-1,
- IEC/EN/UL62368-1, 3rd Ed.

Note: Consult Factory for compliance information.

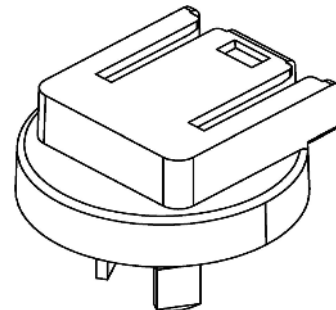
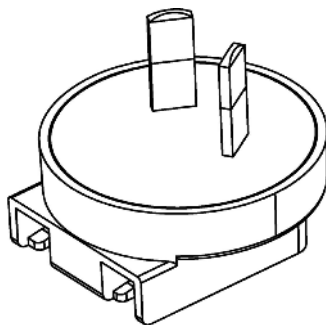
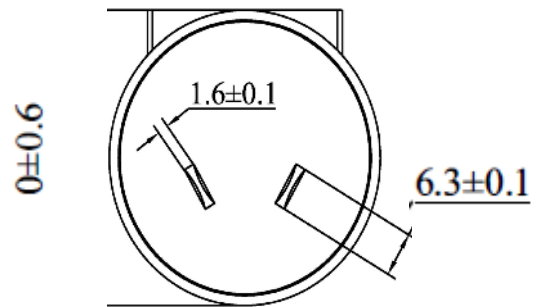
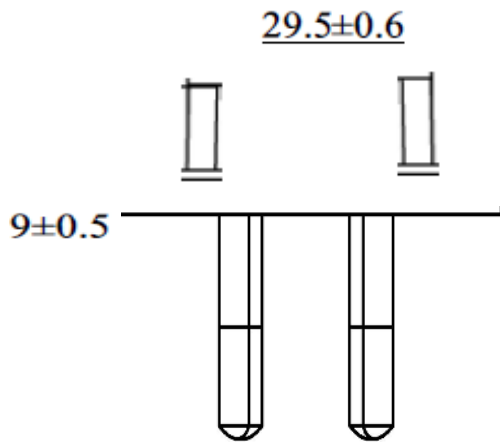


17.8±0.6

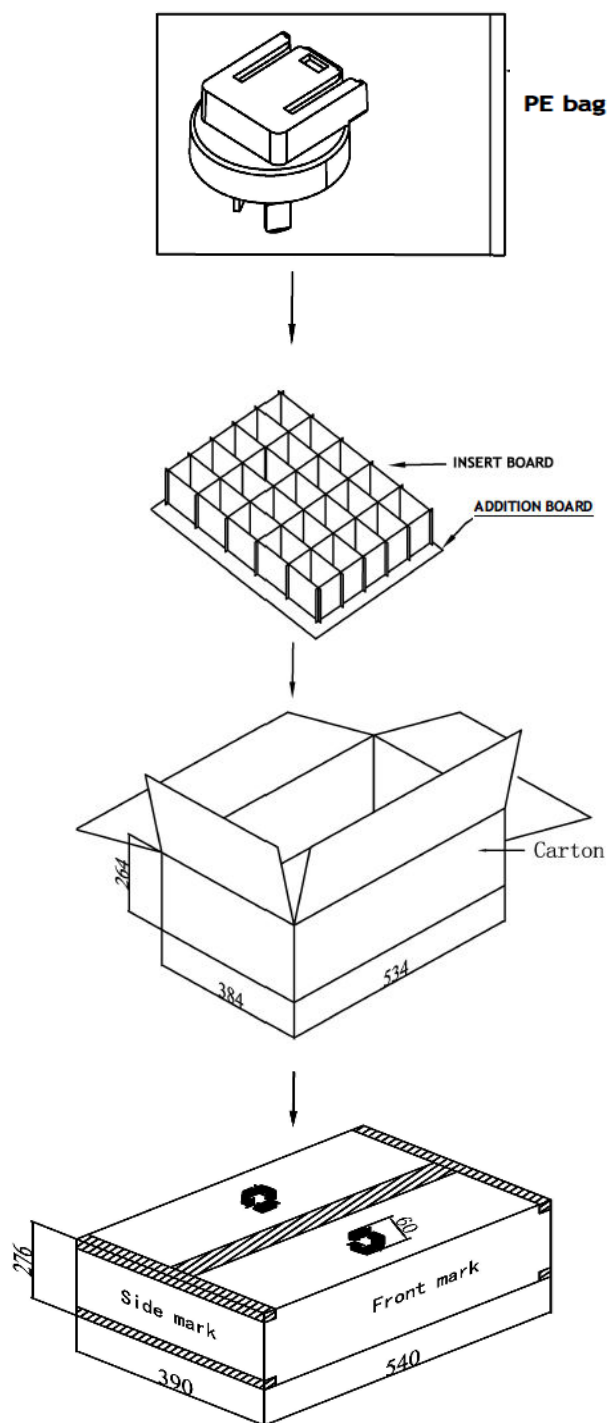
17.0±0.5



8.8±0.4

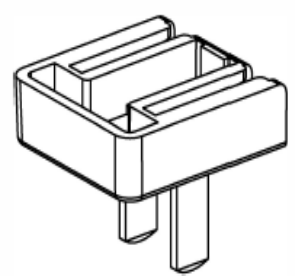
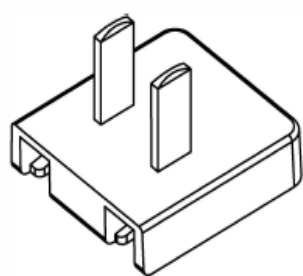
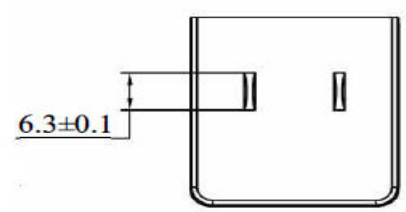
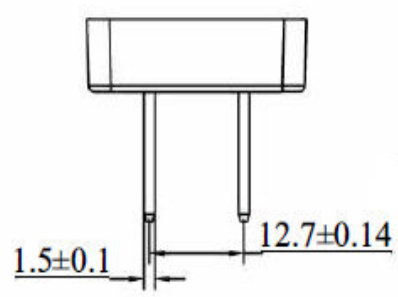
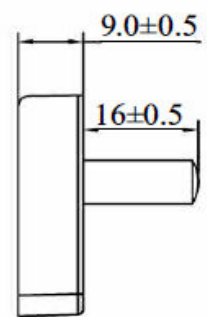
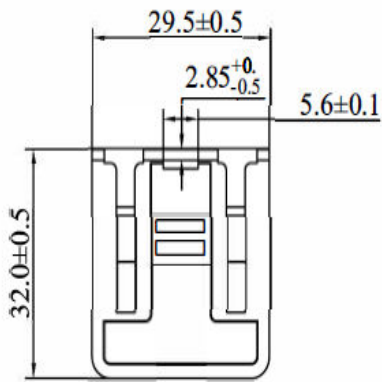


KT1001AU

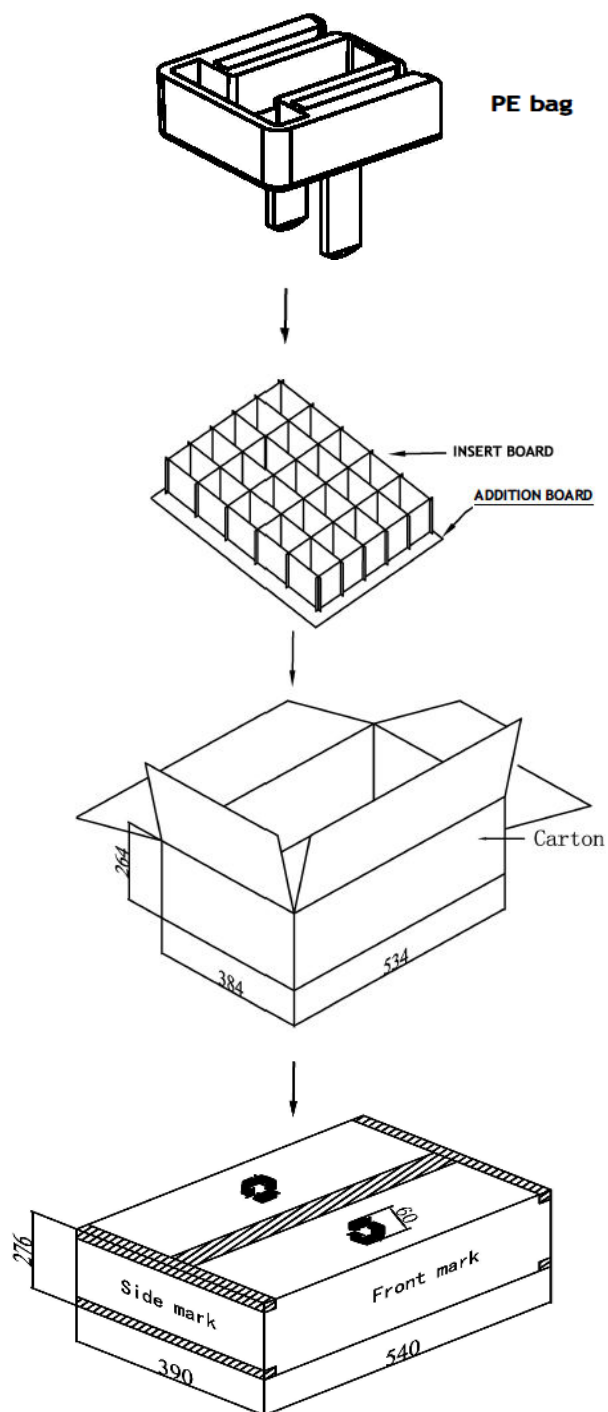


Technical Requirement:

1. Carton: 2 layers wall, 6mm thickness.
Outline dimension: 540mm x 390mm x 276mm
2. Additional board:
3 mm thickness
3 pieces per carton.
3. Humidity protector:
Each plug packed in a small PE bag.
All plugs packed in a big PE bag with an outer carton.
4. Quantity:
2 layers per carton.
200 pes. per layer.
400 pes. per carton.
5. Weight:
Each carton approx. 8.6 kg gross.
Each carton approx. 6.4 kg net.

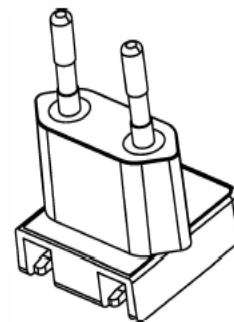
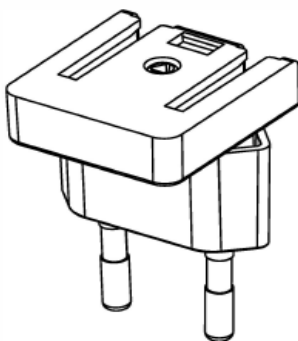
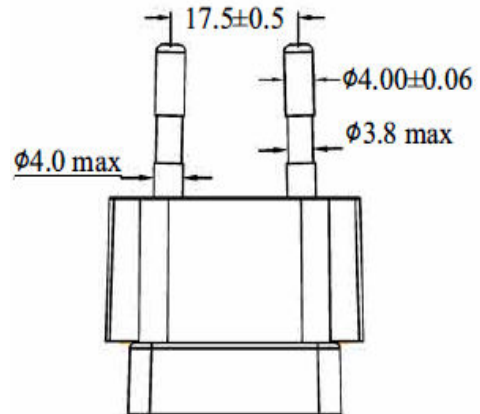
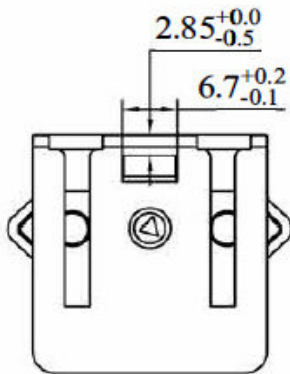
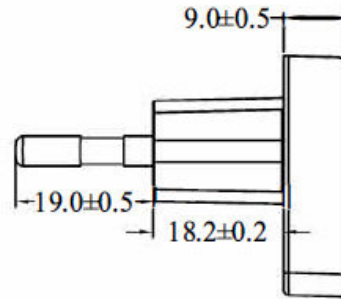
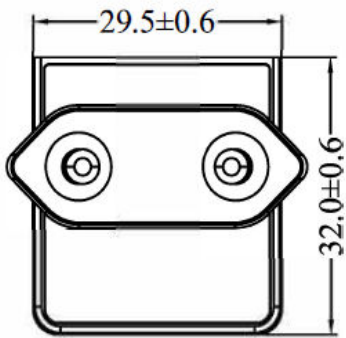


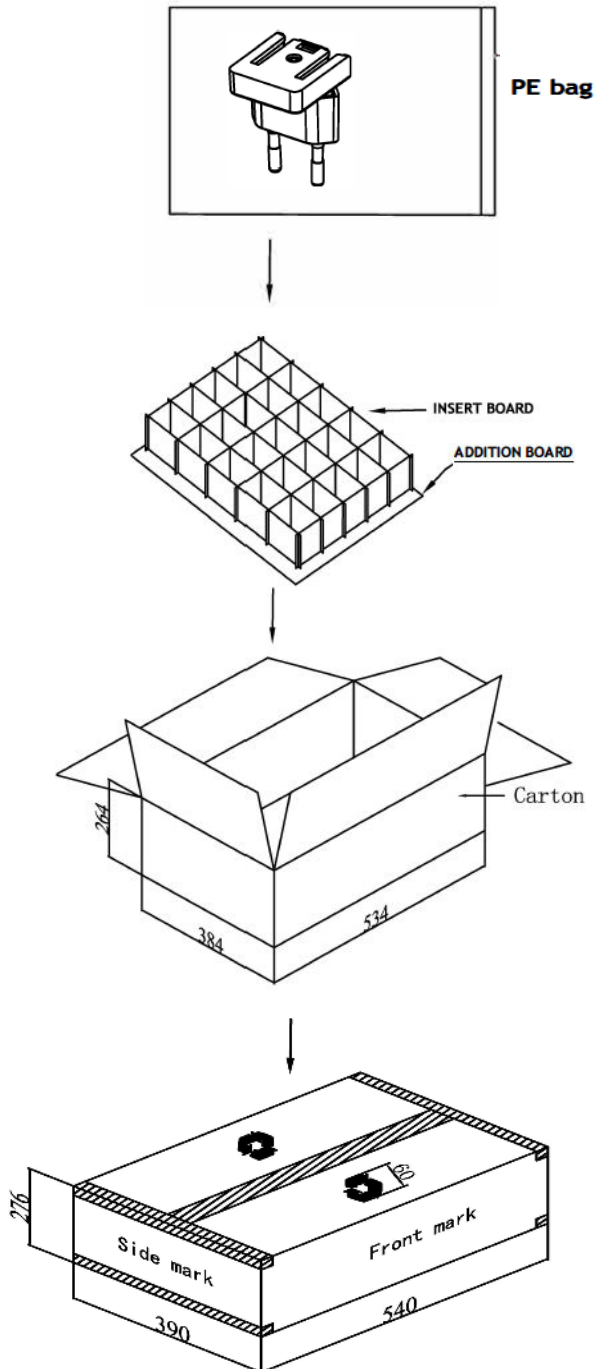
KT1001CH



Technical Requirement:

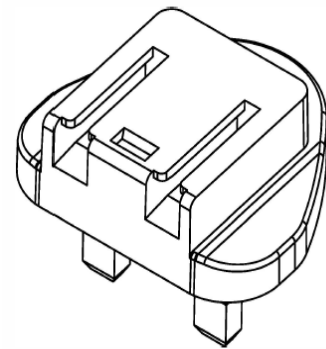
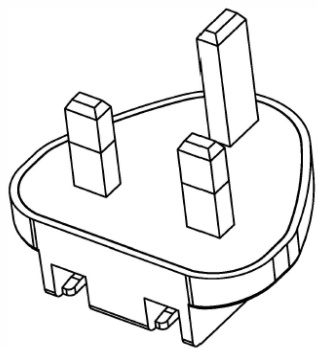
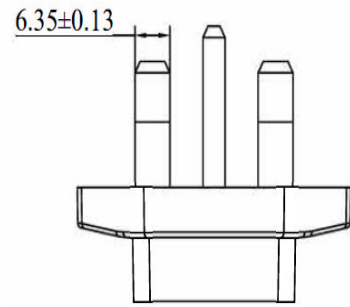
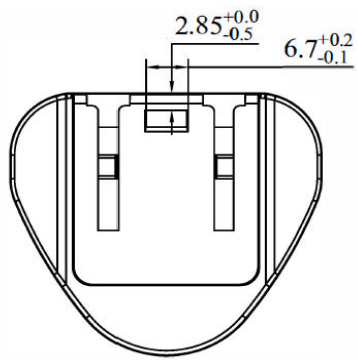
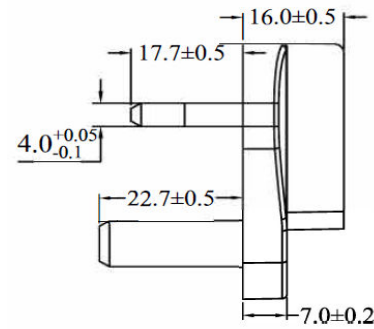
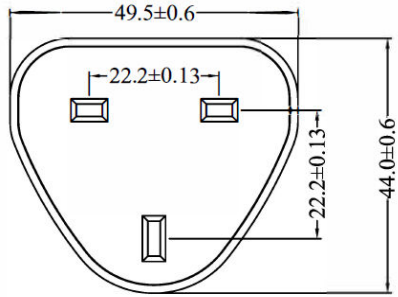
1. Carton: 2 layers wall, 6mm thickness.
Outline dimension: 540mm x 390mm x 276mm
2. Additional board:
3 mm thickness
3 pieces per carton.
3. Humidity protector:
Each plug packed in a small PE bag.
All plugs packed in a big PE bag with an outer carton.
4. Quantity:
2 layers per carton.
200 pes. per layer.
400 pes. per carton.
5. Weight:
Each carton approx. 5.6 kg gross.
Each carton approx. 3.4 kg net.

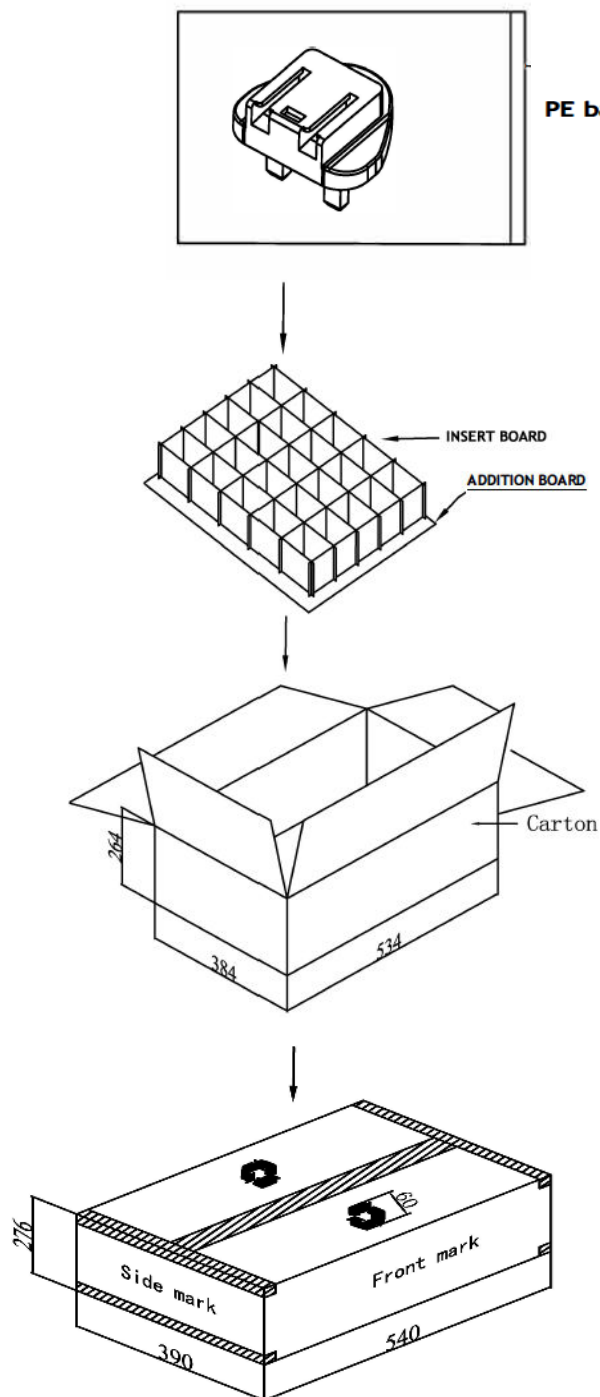




Technical Requirement:

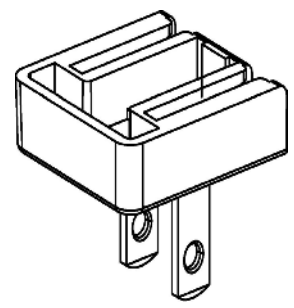
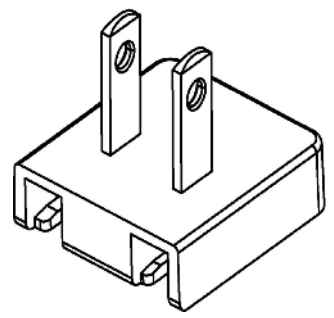
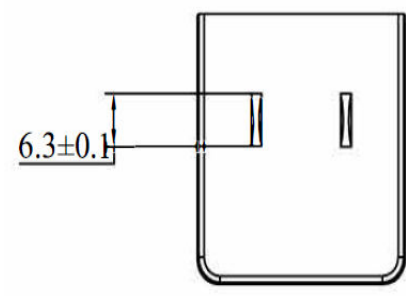
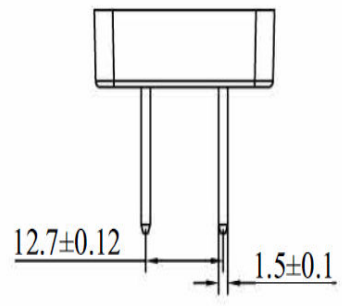
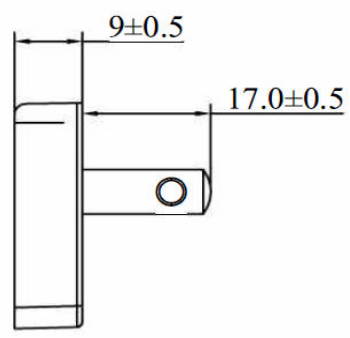
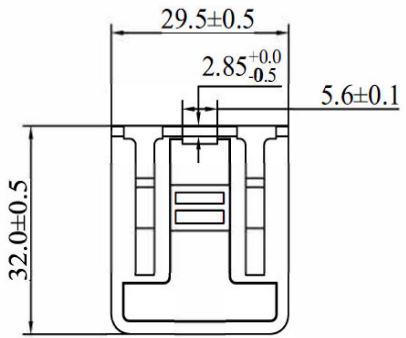
1. Carton: 2 layers wall, 6mm thickness.
Outline dimension: 540mm x 390mm x 276mm
2. Additional board:
3 mm thickness
3 pieces per carton.
3. Humidity protector:
Each plug packed in a small PE bag.
All plugs packed in a big PE bag with an outer carton.
4. Quantity:
2 layers per carton.
200 pes. per layer.
400 pes. per carton.
5. Weight:
Each carton approx. 9.4 kg gross.
Each carton approx. 7.2 kg net.



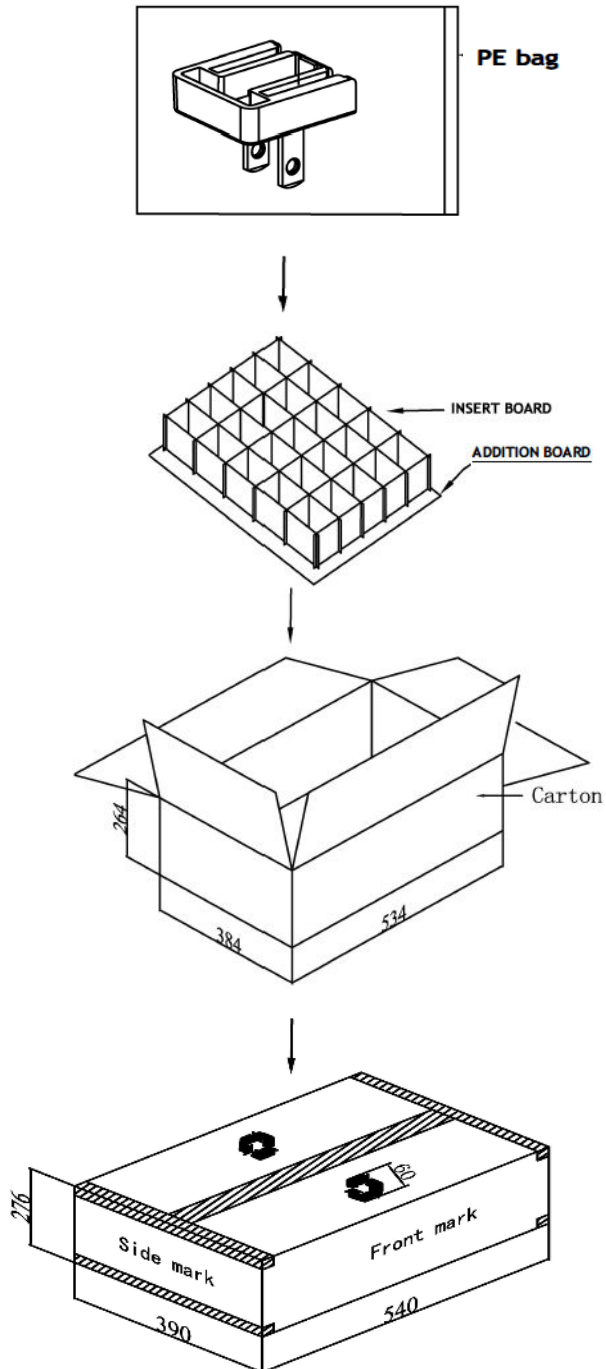


Technical Requirement:

1. Carton: 2 layers wall, 6mm thickness.
Outline dimension: 540mm x 390mm x 276mm
2. Additional board:
3 mm thickness
3 pieces per carton.
3. Humidity protector:
Each plug packed in a small PE bag.
All plugs packed in a big PE bag with an outer carton.
4. Quantity:
2 layers per carton.
200 pes. per layer.
400 pes. per carton.
5. Weight:
Each carton approx. 11.4 kg gross.
Each carton approx. 9.2 kg net.



KT1001US



Technical Requirement:

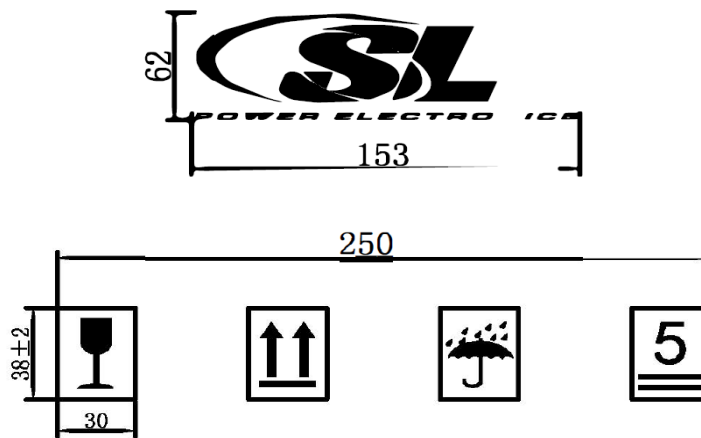
1. Carton: 2 layers wall, 6mm thickness.
Outline dimension: 540mm x 390mm x 276mm
2. Additional board:
3 mm thickness
3 pieces per carton.
3. Humidity protector:
Each plug packed in a small PE bag.
All plugs packed in a big PE bag with an outer carton.
4. Quantity:
2 layers per carton.
200 pes. per layer.
400 pes. per carton.
5. Weight:
Each carton approx. 5.6 kg gross.
Each carton approx. 3.4 kg net.

ORDERING INFORMATION

Model Number	Description	Applicable Area
KT1001AU	LCP-SAA Plug Black RoHS+RAHS	Australia
KT1001CH	LCP-CCC-A Plug Black RoHS+RAHS	China
KT1001EU	LCP-VDE2 Plug with Screw Black RoHS+RAHS	Europe
KT1001UK	LCP-BSI Plug Black RoHS+RAHS	United Kingdom
KT1001US	LCP-UL-A Plug Black RoHS+RAHS	United States

Arton Label Position

Side Mark:



Front Mark:



MODEL No: _____ DATE CODE: _____
 DESCRIPTION: _____ S/N: _____ TO _____
 ORDER No: _____ QTY: _____
 VOLUME: 54.0x39.0x27.6(CM) WEIGHT: _____

SL Power Electronics Co.,Ltd

Notes:

1. Words: SL Electronics Co.,Ltd. is Arial, 20mm high; Other words is Arial, 13mm high
2. Color: Recycle ligo 60mm high, center position; Words & ligo is black.



For international contact information,
visit [advancedenergy.com](https://www.advancedenergy.com).

powersales@aei.com (Sales Support)
productsupport.ep@aei.com (Technical Support)
+1 888 412 7832

ABOUT ADVANCED ENERGY

Advanced Energy (AE) has devoted more than three decades to perfecting power for its global customers. AE designs and manufactures highly engineered, precision power conversion, measurement and control solutions for mission-critical applications and processes.

Our products enable customer innovation in complex applications for a wide range of industries including semiconductor equipment, industrial, manufacturing, telecommunications, data center computing, and medical. With deep applications know-how and responsive service and support across the globe, we build collaborative partnerships to meet rapid technological developments, propel growth for our customers, and innovate the future of power.

PRECISION | POWER | PERFORMANCE | TRUST

Specifications are subject to change without notice. Not responsible for errors or omissions. ©2023 Advanced Energy Industries, Inc. All rights reserved. Advanced Energy®, and AE® are U.S. trademarks of Advanced Energy Industries, Inc.