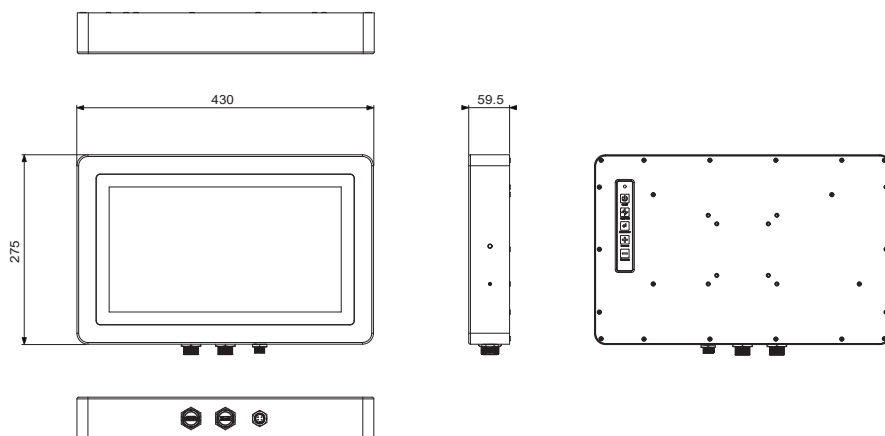


TDM-P156W-LP

15.6" (1920*1080) Stainless Steel P-cap Monitor, 6 sides IP66 Waterproof, HDMI/USB/Power by Plastic Water-Proof Connectors, DC 12V Power Input, and VESA/Yoke Mounting



Dimension & I/O Connector



Features

- ▶ 15.6" LCD with 1920*1080 resolution
- ▶ HDMI/USB/Power by Plastic Water-Proof Connectors
- ▶ DC 12V Power Input
- ▶ M12 Plastic Waterproof Connectors on Bottom Side
- ▶ Stainless Steel 316 Food Grade
- ▶ Yoke / Desk / VESA Mounting
- ▶ Optional Picture-in-Picture function by RS485 Remote control
- ▶ Optional 1024 Level Dimming
- ▶ Optional 2nd HDMI for PIP

Specification	
Max. Resolution	1920*1080
Contrast Ratio	800 : 1
Max. Color	16.7 M
Luminance (cd/m2)	450 nits
View Angle	85/85/85/85
Touch Screen	15.6" P-cap USB interface
Power Input	DC 12V Power Input
Mounting	VESA Mount 75 x 75 / 100 x 100 Yoke Mount
Operating Temp	-20 ~ 60 °C
External Cable Length	1 x USB 2.0 External Waterproof cables by 1.5 meters(the end side is female USB 2.0) 1 x Power External Waterproof cables by 1.5 meters(the end side is 2 wire : ground & +) 1 x HDMI (w/o Audio)

Ordering Information	
TDM-P156W-LP	15.6" (1920*1080) Stainless Steel P-cap Monitor, 6 sides IP66 Waterproof, HDMI/USB/Power by Plastic Water-Proof Connectors, DC 12V Power Input, and VESA/Yoke Mounting

Ordering Code	
TDM-P156W-LP	-H / -OB / -G / -AG / -AR / -V / -M / -P / -R
	H = High Brightness 1000 nits LED backlight
	OB = Optical Bonding
	B = Glass Without touch
	AG = Anti-Glare
	AR = Anti-Reflection
	V = Vandal Proof Glass (By Project)
	M= M12 Metal Connector
	P= M12 Plastic Connector
	R= Rackmount with Handles