

# LPC-P121S-LMx

12.1" Stainless Steel P-cap Panel PC with Intel 7th Gen Core™ i7/i5/i3, 6 sides IP66 Metal Waterproof connectors, DC 12V Power Input



## Features

- ▶ 12.1" LCD with 1024\*768 resolution
- ▶ 350nits LED Backlight
- ▶ DC 12V Power Input
- ▶ Metal Waterproof connectors at bottom side
- ▶ 6 Sides IP66
- ▶ 20~60°C Operating Temp



## System

Processor	Intel 7th Gen Core™ i7/i5/i3
System Memory	DDR3L SO-DIMM, up to 8 GB
External I/O Port	1 x USB 2.0 Type A 1 x RJ45 GbE LAN 1 x HDMI 1 x RS-232/422/485 (COM1) 1 x 3-Pin Power Input
Storage	1 x CFAST Slot 1 x mSATA (full size, share with mini-PCIe)
Operating System	Windows 10 IoT Enterprise LTSC
Expansion	2 x MiniPCIe Slot ( 1 share with mSATA)

## LCD

Display Type	12" TFT LCD
Max. Resolution	1024*768
Max. Color	16.7M
Luminance	350nits
View Angle	80/80/80/80
Backlight Lifetime	30,000 hours

## Environment

Operating Temp	-20~60 °C · IEC-60068-2-1/2/14
Storage Temp	-20~60 °C
Humidity	10~90% @40 °C, non-condensing
EMC	FCC / CE Class A Certification
Vibration	1.5 Grms @10~500Hz, IEC-60068-2-64

## Power Requirement

Power Input	DC 12V Power Input
-------------	--------------------

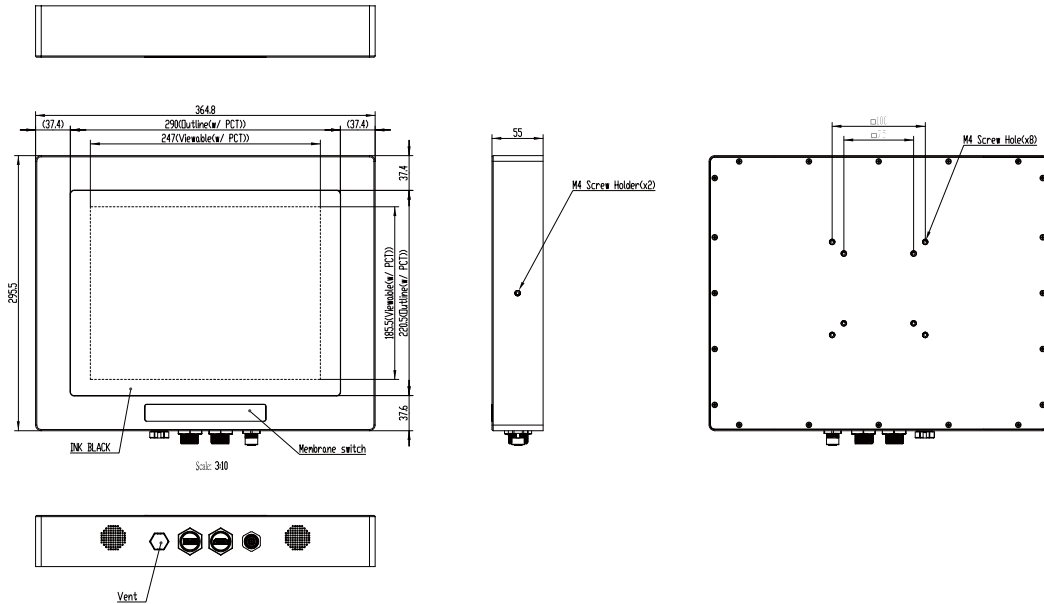
## Touch Screen

Type	USB P-Cap Touch
------	-----------------

## Mechanical

Construction	SUS304 Stainless Steel Case
IP Rating	6 sides IP66
Mounting	VESA Mount, Yoke Mount
Dimension	TBC

## Dimensions



### Ordering Information

LPC-P121S-LMx	12.1" Stainless Steel P-cap Panel PC with Intel 7th Gen Core™ i7/i5/i3, 6 sides IP66 Metal Waterproof connectors, DC 12V Power Input
---------------	--

### Ordering Code

LPC-P121S-LMx -H / -OB / -B / -AG / -AR / -V / -M

H = High Brightness 1000 nits LED backlight

OB = Optical Bonding

B = Glass Without Touch

AG = Anti-Glare

AR = Anti-Reflection

V = Vandal Proof Glass (By Project)

M = M12 Metal Connector