



Features

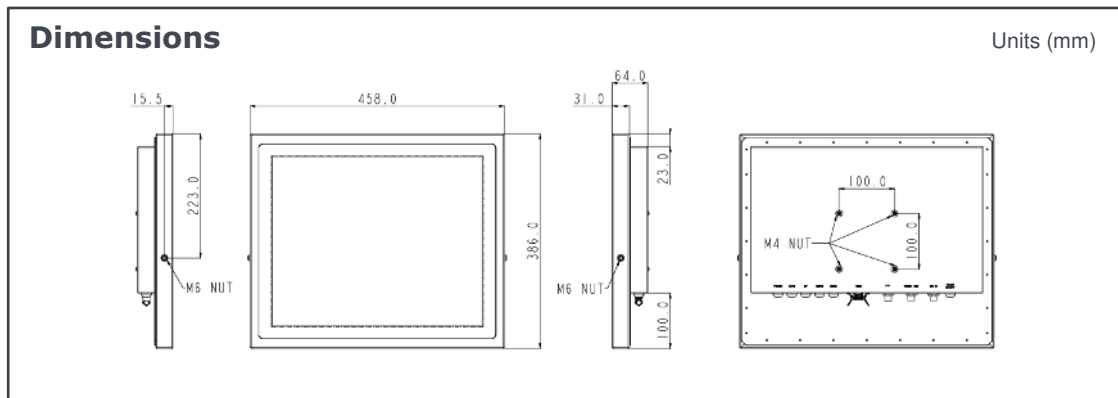
- Stainless Steel Enclosure (Grade 316 for Option).
- IP69K/IP67 M12 Stainless Connectors.
- Touch on/off on Bottom Side for Hygienic Cleaning.
- 100% Water/ Dust Proof Guarantee
- Downward I/O for Easy Installation and Space Saving
- EMC Class B Applicable

Specification

Product		WTD-19
Display	Size	19" 5:4
	Resolution (pixel)	1280 x 1024 SXGA
	Number of Colors	16.7M colors
	View Angle (H/V)	170(H) / 160(H)
	Brightness(cd/m ² , nit)	350 nits
	Contrast Ratio	1000:1 (Typ)
Touch Panel	Type	Full flat resistive touch panel
	Light Transmission	80 ± 5%
	Lifetime	35M times
I/O Ports	USB	1 x M12 8pin for touch screen
	Audio	1 x VGA input
	Video	1 x HDMI 1.4a (input)
	Control Keys	Menu: OSD on and enter Down: move down for selecting Up: move up for selecting Auto: OSD off, and source change Touch screen: on/off
Power	Power input	DC 12V
	Power adapter	AC input 90 ~ 264V / 47 ~ 63 Hz / DC output 12V, IP67, 60W/5A
Environmental	Temperature	Operating Temperature -10~55°C Storage Temperature -30~70°C
	Humidity	Operating & Storage: 10 ~ 90%, non-condensing
	Water/Dust resistance	IP66 (NEMA4X) / IP69K (NEMA6)
Mechanical Characteristics	Housing	SUS304 stainless steel enclosure, chassis type
	Dimensions (Net: mm)	458 x 386 x 64
	Weights (Net: kg)	10 kg
	Mounting	VESA 100*100, Side Mount (M6 x 2)
Certification	FCC/ CE (EMC)/ VCCI Class B (VGA port) ; Class A (HDMI port), Canada ICES-003	

WTD-19

Stainless Monitor



Major Options	
Options	<ol style="list-style-type: none"> SUS316 enclosure IP 67 Whole System Solutions Full flat PCT touch screen DP to HDMI converter (for connecting WPC-766)
Customization	<ol style="list-style-type: none"> Sunlight readable optical bonding 1000 nits high brightness LCD HDMI connection between WTP panel PC as 2nd display

Order Information

Item	Touch	Description
WTD-19	W/5-wire RES Touch	19" Full Flat Resis. Touch IP69K Chassis Stainless Steel Display

