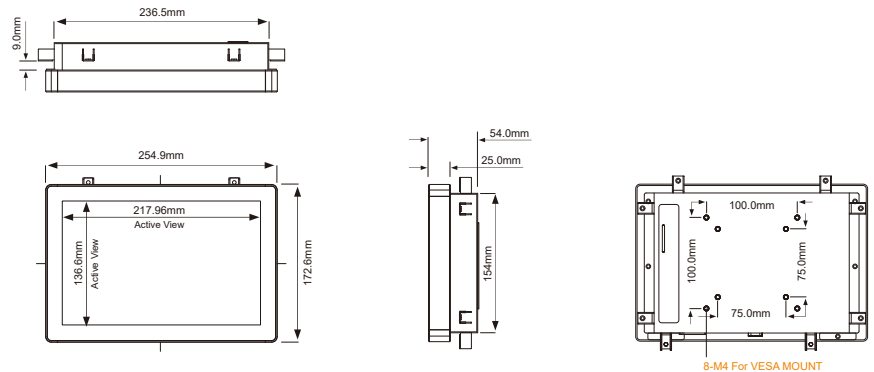


TDM-P101WT Series

10.1" Bezel-Free P-cap Monitor with Front Side IP65/66, VGA/DP/HDMI, Panel Mounting Kits, and Power Input DC 12V



Dimension & I/O Connector



Features

- ▶ IPS Wide Viewing Angle
- ▶ Bezel-Free Design
- ▶ IP65 Front Bezel
- ▶ IP66 Front Bezel Compliant
- ▶ VGA/DP/HDMI
- ▶ USB Port for Touch
- ▶ DC 12V Power Input (Optional DC9~36V)
- ▶ Optional 256 Levels Dimming
- ▶ Optional OSD in Front Right Side
- ▶ Optional IEC-60945 Compliance
- ▶ Optional 1000~1500 nits High Brightness
- ▶ Optional M12 Metal Connector
- ▶ Backside OSD Buttons
- ▶ Optional Anti-UV / Irradiation
- ▶ Optional Color Calibration / ECDIS

Specification	
Max. Resolution	1280*800
Contrast Ratio	800 : 1
Max. Color	16.7 M
Luminance (cd/m2)	400 nits Optional backlight 1000~1500 nits
View Angle	85/85/85/85
Touch Screen	10.1" P-cap USB interface
Power Input	DC 12V with DC 12V adapter by 3-Pin Terminal Block
Mounting	Panel Mount VESA Mount 75x75/100x100
Operating Temp	-40 ~ 80 °C / -20 ~ 60 °C
Storage temp	-40 ~ 80 °C / -20 ~ 60 °C
OSD Function	1. Power 2. Backlight Up 3. Back light Down 4. Home 5. Status switch 6. LED for Day, Noon and Night status (Optional Only for ECDIS)

Ordering Information	
TDM-P101WT	10.1" Bezel-Free P-cap Monitor with Front Side IP65/66, VGA/DP/HDMI, Panel Mounting Kits, Power Input DC 12V, and operating temp -40 ~ 80 °C
TDM-P101W	10.1" Bezel-Free P-cap Monitor with Front Side IP65/66, VGA/DVI/HDMI, Panel Mounting Kits, Power Input DC 12V, and operating temp -20 ~ 60 °C
TDM-P101WE	10.1" Bezel-Free P-cap Monitor, VGA/DVI/HDMI, Panel Mounting Kits, Power Input DC 12V, and operating temp -20 ~ 60 °C

Ordering Code	
TDM-P101WT	-H / -OB / -B / -AG / -AR / -V / -M / -P / -R
H = High Brightness 1000 nits LED backlight	
OB = Optical Bonding	
B = Glass Without Touch	
AG = Anti-Glare	
AR = Anti-Reflection	
V = Vandal Proof Glass (By Project)	
M= M12 Metal Connector	
P= M12 Plastic Connector	
R= Rackmount with Handles	

