

MPC152-845

15" XGA TFT Fanless Medical Grade Touch Panel Computer with Intel® Celeron® Processor N3060

Features

- 15" XGA TFT LCD display with LED backlight
- Fanless design with Intel® Celeron® processor N3060
- 2 GbE LAN, 4 USB, and 2 COM
- Plastic and IP65-rated front bezel
- Supports RFID (optional)
- External AT/ATX mode selection switch
- Easy access storage design
- Supports panel mount, wall mount, VESA arm, and desktop stand
- Adjustable RS-232/422/485 setting via BIOS
- 4th EN 60601-1, CE, and FCC



▲ Side view



Introduction

The MPC152-845 is a 15" fanless medical touch panel computer. In response to market demand, this medical panel computer is a cost effective solution. It adopts a modern, super sleek and fanless design and is equipped with a 15" TFT LCD. It is powered by the Intel® Celeron® processor N3060 dual core up to 2.48 GHz. For wireless network connection, the MPC152-845 offers 2 PCI Express Mini Card slots. By just plugging in the mini card WLAN card, customers can have instant access to wireless LAN/GPRS/GSM/4G environments. Besides, it provides two types of power input: DC power with terminal block connector and AC power adapter with screw type connector.

Super Slim & Ultra Lightweight Design

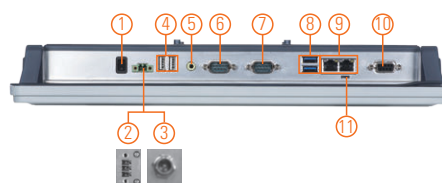
With a thickness of 54.6 mm and weight of 3.2 kg, the MPC152-845 is designed for use in space-constrained environments.

Certifications

This 15-inch medical panel platform complies with 4th version of 60601-1, CE, and FCC Class B certifications to ensure medical operation safety.

Aluminum Back Chassis with Excellent Thermal Solution

With Axiomtek's patent for plastic plus aluminum mechanism design, the MPC152-845 can dissipate the heat easily and keep the system operation stable.



1. Power switch (ATX)
2. Terminal block for DC power input
3. Screw connector with AC power adapter
4. 2 x USB 2.0
5. 1 x Audio (Line-out)
6. 1 x RS-232/422/485
7. 1 x RS-232
8. 2 x USB 3.0
9. 2 x LAN
10. 8 x DIO (programmable, DB9)
11. AT/ATX selectable switch
12. Touch LED indicator
13. Touch on/off button
14. HDD & power LED indicator

Specifications

Front Bezel	IP65, NEMA 4 rugged protection, plastic front bezel	
LCD Panel	Display Type	15" XGA TFT LCD with LED backlight
	Brightness (cd/m ²)	420 nits (XGA)
	Resolution	1024 x 768 (XGA)
	Viewing Angel (H/V)	160°/160°
Main System	CPU	Intel® Celeron® processor N3060 2 cores (up to 2.48 GHz)
	System Memory	1 x 204-pin DDR3L-1600 SO-DIMM, up to 8GB
	BIOS	AMI UEFI BIOS
	Storage	1 x 2.5" SATA HDD (9.5 mm height) 1 x mSATA
	Watchdog Timer	255 levels, 0 to 255 sec.
	Onboard Graphics	Integrated in Intel® GFX

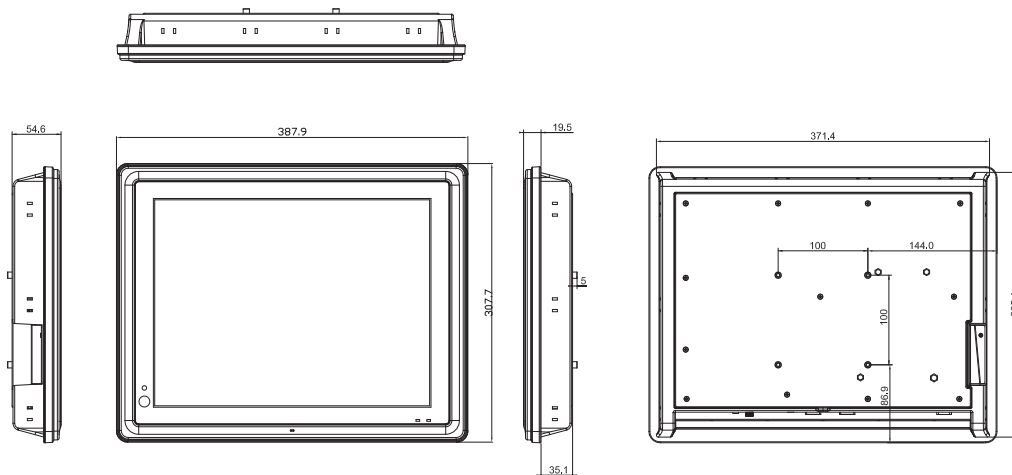
Specifications

I/O Connector	1 x RS-232 1 x RS-232/422/485 2 x 10/100/1000 Mbps Ethernet 2 x USB 2.0 2 x USB 3.0 1 x Audio (Line-out) 1 x Switch for power on/off 1 x AT/ATX selectable switch 1 x 8-bit DIO (programmable, DB9)
Expansion Interface	1 x Full-size PCI Express Mini Card slot with mSATA 1 x Full-size PCI Express Mini Card slot with SIM
Touchscreen	Resistive type
Power Supply	AC version: 100 to 240 V AC-DC, 65W power adapter DC version: 9 to 36 VDC with over current protection fuse
Power Consumption	32 W
Dimension	387.9 mm (15.27") (W) x 54.6 mm (2.14") (D) x 307.7 mm (12.11") (H)
Packing Dimensions	510 mm (20.08") (W) x 105 mm (4.13") (D) x 385 mm (15.16") (H)
Weight (net/gross)	3.2 kg (7.05 lb)/5.1 kg (11.24 lb)
Operating Temperature	0°C to +40°C (+32°F to +122°F)
Relative Humidity	20% to 90% @ +40°C; non-condensing
Operation Vibration	2G, 5 - 500Hz, random for SSD
Certifications	4th EN 60601-1 (ESD contact 8KV, air 15KV), CE and FCC

Packing List

1 x MPC152-845
1 x Adapter (MPC152-845-J)
1 x Power cord (MPC152-845-J)
1 x Phoenix connector (MPC152-845 DC)

Dimensions



Ordering Information

Standard	
MPC152-845-J (P/N: E228152105)	15" XGA fanless medical touch panel computer with Intel® Celeron® processor N3060, 5-wire resistive touch screen, AC-DC 65W power adapter (screw type connector), and EMI class B
MPC152-845-DC (P/N: E228152106)	15" XGA fanless medical touch panel computer with Intel® Celeron® processor N3060, 5-wire resistive touch screen, and DC power input (terminal block connector)

* Other configuration by request

* Specification and certifications may vary based on different requirements

Optional Accessories

Wi-Fi + Bluetooth kit	
881251520A0E	Panel mount kit
881251521A0E	Wall mount kit
E226171119	Stand kit
881251203A0E	RFID kit

Optional EOS Installation

WES 7

WE8S (64-bit)

Optional OS Installation

Windows® 7

Windows® 8.1 (64-bit)

Windows® 10

