



Power Supply System Guardian Access 2U Instruction Manual



www.unipowerco.com

Document Number: MS0028-MAN rev. 4
guardian_access_2u_ms28-man-rev4-0817.indd

© 2017 UNIPOWER LLC
All Rights Reserved

Copyright © 1999-2017 UNIPOWER LLC

All Rights Reserved

Restricted Rights Legend:

Use, duplication, or disclosure by the Government is subject to restrictions as set forth in subparagraph © (1)(ii) of the Rights in Technical Data and Computer Software clause at DFARS 252.227-7013 or subparagraphs © (1) and (2) of Commercial Computer Software - Restricted Rights at 48 CFR 52.227-19, as applicable.

For Contact Information, please go to <http://www.unipowerco.com/contact/>

Refer to the UNIPOWER License Agreement in this package before installing or using this product.

Unless specifically noted, all addresses, data characters and persons referenced herein, and all examples involving names of companies and products, are fictitious examples and are designed solely to illustrate the use of UNIPOWER products.

Product names, logos, brands, and other trademarks featured or referred to within this product manual are the property of their respective trademark holders. These trademark holders are not affiliated with UNIPOWER LLC or our products. They do not sponsor or endorse our products.

LIMITATIONS AND AUTHORIZATIONS FOR USE AND PERMITTED APPLICATIONS

UNIPOWER's products are not designed, intended for use in, or authorized for use as critical components in, human life support systems/equipment, equipment used in hazardous environments, or equipment used in nuclear control equipment or systems. Any such use requires the prior express written consent of an authorized executive officer of UNIPOWER LLC, which consent may be withheld by UNIPOWER LLC in its sole discretion. Users assume all risk and liability for, and agree to indemnify and defend UNIPOWER from and against any claims for personal injury (including death) or property damage resulting from any such use or application which is made in the absence of such prior express written consent.

If you find errors or problems with this documentation, please notify UNIPOWER. UNIPOWER does not guarantee that this document is error-free. The information in this document is subject to change without notice.

Contents

Chapter 1 About This Manual	6
1.1 Objectives	6
1.2 Audience	6
1.3 Document Key	6
1.4 Feedback & Support	7
1.5 Disclaimer.....	7
Chapter 2 System Description	8
2.1 Overview	8
2.2 System Parameters.....	11
2.3 System Components	13
2.3.1 System Controller	13
2.3.2 DC Distribution Unit	13
2.3.3 Rectifier Module	14
Chapter 3 System Safety	15
3.1 Safety Warnings and Guidelines.....	15
3.1.1 System Markings	15
3.1.2 Safety Recommendations	15
3.1.3 Installation Warning.....	16
3.1.4 Restricted Access Area Warnings	16
3.1.5 System Enclosure	16
3.1.6 Operating Temperature Warnings	16
3.1.7 Electrical Safety Warnings.....	17
3.1.8 Grounding	18
3.1.9 Batteries	18
3.1.9.1 Lead Acid Batteries	18
3.1.10 In Case of an Accident.....	19
3.2 Caution.....	19
3.2.1 Storage and Transportation.....	19
3.2.2 Disposal	19
3.2.3 Handling Electrostatic Sensitive Devices.....	19
3.2.4 Traceability	19
3.2.5 Breakers	20
3.2.6 Hot Surfaces	20
Chapter 4 Installation Guide	21
4.1 Preparation.....	21
4.1.1 Installation Overview	21
4.1.2 Unpacking.....	21
4.1.3 Tools	22
4.1.4 Cable Size	23
4.2 Rack Mounting.....	24

4.3 Cable Entry	26
4.3.1 Remove Top Cover	26
4.3.2 Cable Entry Openings.....	27
4.4 Grounding Connection	28
4.5 AC Input Connection.....	29
4.6 DC Load Connection.....	32
4.7 Battery Connection.....	32
4.8 Alarm and Signal Connections	33
4.9 Symmetry Connection	36
4.10 Temperature Sensor Connection	37
4.11 Connecting an RS232 Communication Cable	38
4.12 Rectifier Installation.....	39
4.13 Reinstalling Top Cover	40
Chapter 5 Commissioning.....	41
5.1 Commissioning Overview	41
5.2 Tools and Test Equipment.....	41
5.2.1 Tools List	41
5.2.2 Test Equipment	41
5.3 Preparation.....	41
5.4 Commissioning procedure.....	42
5.5 Test of output voltage	43
5.5.1 Float charge (U1).....	43
5.5.2 Adjustment of Float Charge, U1	43
5.5.3 Boost charging (U2) (if applicable).....	43
5.6 Battery supervision.....	44
5.7 Battery test.....	44
5.8 Commissioning record.....	45
Chapter 6 Maintenance & Troubleshooting	46
6.1 Maintenance.....	46
6.1.1 Checking Terminal Connection	46
6.1.2 Other Requirements.....	46
6.2 Troubleshooting.....	47
Chapter 7 Replacing Modules.....	51
7.1 Controller Replacement.....	51
7.2 Rectifier Replacement.....	51
7.3 Battery and Load Breakers Replacement	52
7.4 Surge Protection Device Replacement	52
Appendix A - Drawings.....	53
A.1 System Layout.....	53
A.2 Installation Details - Connections	54
A.3 Block Diagram	55
A.4 Detailed Dimensions	56

FIGURES

Figure 2-1 Power System Overview	8
Figure 2-2 Principal of Operation	9
Figure 2-3 Power System With Extended Rear and Top Cover Kit.....	10
Figure 2-4 Power System with Rear and Top Cover Kit	10
Figure 2-5 Guardian Rectifier	14
Figure 4-1 System Mounting - Cabinet	24
Figure 4-2 System Mounting - Open frame / relay rack.....	25
Figure 4-3 Remove Top Cover.....	26
Figure 4-4 Remove Extended Cover Kit	27
Figure 4-5 Cable Entry Options.....	27
Figure 4-6 Grounding Connection.....	28
Figure 4-7 Grounding Connection with Rear & Top Cover Kit	28
Figure 4-8 Grounding Connection with Extended Rear Cover Kit - Two Point.....	29
Figure 4-9 Grounding Connection with Extended Rear Cover Kit - Single Point	29
Figure 4-10 AC Cable Connection (1-phase).....	30
Figure 4-11 AC Cable Connection (3W+N+PE)	31
Figure 4-12 AC Cable Connection in North American (3W+PE)	31
Figure 4-13 DC Load Connection.....	32
Figure 4-14 Battery Connection.....	33
Figure 4-15 PCC External Board.....	34
Figure 4-16 ACC External Board	34
Figure 4-17 ACC Relay Board.....	35
Figure 4-18 Alarm Connection	36
Figure 4-19 2-block Symmetry Measurement (for illustration only)	37
Figure 4-20 4-Block Symmetry Measurement (for illustration only).....	37
Figure 4-21 Temperature Sensor Connection	38
Figure 4-22 RS232 Connection	39
Figure 4-23 Rectifier Installation.....	39
Figure 7-1 Unlocking and Removing the Controller	51
Figure 7-2 Replacing a Surge Protection Module.....	52

TABLES

Table 4-1 Recommended Electrical Cable Size.....	23
Table 5-1 Float/Boost Charge Voltages.....	43
Table 5-2 Commissioning Record	45
Table 6-1 Connection Torque Setting Check	46

1. About This Manual

This chapter contains an overview of the information that is presented in this Power System Manual. This includes information on objectives, the intended audience, and the organization of this manual. In addition, this chapter also defines the conventions used to indicate warnings, cautions and noteworthy information.

1.1 Objectives

This manual describes the Power System, explains how to unpack and install the system, how to perform the initial power-up and operational system check.

The information presented in this document is current as of the publication date.

1.2 Audience

This manual is to be used by installers and technicians who are preparing the site for a new installation and installing the power system. This manual assumes that the technician has an understanding of power systems in general and understands safety procedures for working around AC and DC voltage.

The user of this document should be familiar with electronic circuitry and wiring practices and have some expertise as an electronic, power, or electromechanical technician.

1.3 Document Key

This manual uses the following conventions:



WARNING This symbol indicates a situation that could cause bodily injury. Always be aware of hazardous conditions when working in or around the power system.



CAUTION This symbol indicates a situation that might result in equipment damage. The reader should be aware that their actions could result in equipment or data loss.



NEED MORE INFORMATION? This symbol is used to reference information either in this manual or in another document.



NOTE This symbol means the reader should take note. Notes are helpful suggestions or reminders.

Table 1-1 Abbreviations

Abbreviation	Description
ACC	Advance Controller Card
ACDU	AC Distribution
DC	Distribution Cabinet
EC	Extended cabinet
FMD	Fan-cooled Modular Power Converter
FMP	Fan-cooled Modular Power Rectifier
GDN	Guardian system
Genset	Diesel Generator
HCC Lite	Hybrid Controller Card Lite
LVD	Low voltage disconnection
MC	Main Cabinet
MCCB	Molded Case Circuit Breaker
MCB	Miniature circuit breaker
P1	Power One
PBC	P1 Battery Cabinet
PBDU	P1 Battery Distribution Unit
PCC	Prime Controller Card
PDU	P1 Distribution Unit
PLD	Partial load disconnection
SLI	SLI Inverter

1.4 Feedback & Support

For technical support or feedback, please visit <http://www.unipowerco.com/contact/>.

Alternatively, email: technical.support.repair@unipowerco.com

1.5 Disclaimer

UNIPOWER is not responsible for system problems that are the result of installation or modification of the instructions provided in this manual.

2.1 Overview

This chapter contains an overview of the system and a short description of the units in the system.

The Guardian Access 2U power system is designed to meet the requirements of modern telecommunications equipment. This power solution provides rectification, system management and power distribution. The power system is based the Guardian family of on fan-cooled, hot-swappable rectifier modules FMPe20.48G, FMP25.48 or FMPe30.48G; each with an output of up to 2000W, 2500W or 2900W respectively. Two additional modules FMP20.48 and FMPe30.48C at 2000W and 2900W are also available in the Asia / Pacific region.

The power system can be managed locally through messages and alarms displayed on the LCD screen of system controller, or remotely using the PC-based PowCom™ software package.

The power system contains 3 rectifier positions and modules depending on your order, one system controller, and distribution unit.

The Guardian Access 3U system consists of:

- | | |
|--|----------------------------|
| 1. System Controller | 5. AC Input Terminal Block |
| 2. Rectifier module | 6. DC Connection Busbars |
| 3. Load and Battery Distribution | 7. Alarm Interface Board |
| 4. AC Surge Protection Device (Option) | |

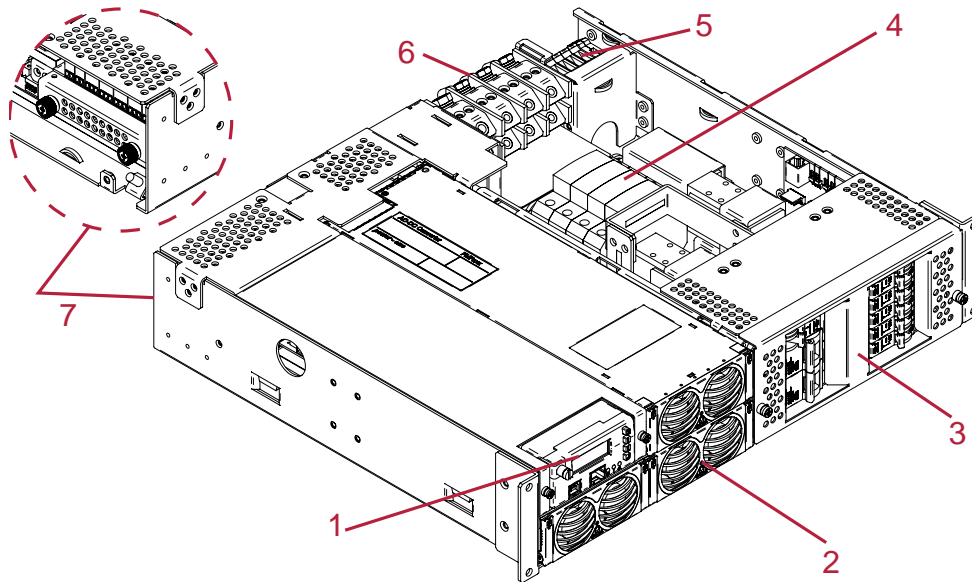


Figure 2-1 Power System Overview

The Guardian Access 2U is capable of delivering up to 8.8kW steady state power to the combined load and batteries. The maximum power available to the load is 10.4kW. The system is based on hot-swappable 48V rectifier modules which are working in parallel with automatic load sharing.

The power system is normally configured with N+1 redundancy, with N as the number of rectifier modules necessary for feeding the load and charging the battery and 1 as the redundant rectifier module. In normal operation the rectifier modules are used to feed the load and simultaneously maintain the batteries in a fully charged state.

Once the mains input power is failed, the rectifiers are shut down and the batteries feed the load immediately. If the battery voltage drops below a preset level, the Low Voltage Disconnection (LVD) circuit disconnects the batteries automatically to prevent over-discharge of the battery to prolong battery life. When the mains input power is restored, the rectifiers will start up automatically to feed the load, close LVD circuit and recharge the batteries.

System performance is supervised and controlled by the controller, PCC or ACC Extended. The DC output voltage, alarm thresholds, LVD circuit operation, temperature compensated battery charging can be set by the controller. Any malfunction will be indicated by LED, text in the display and operation of dry contacts.

However, the system controller is not a single point of failure. In the event of controller malfunction, basic tasks like feeding the load and charging batteries will be maintained by the rectifier modules directly at preset default values.

The alarm and threshold setting of the power system can be set either through the buttons and operation menu on the local controller, or remotely through the PowCom™ supervision software.

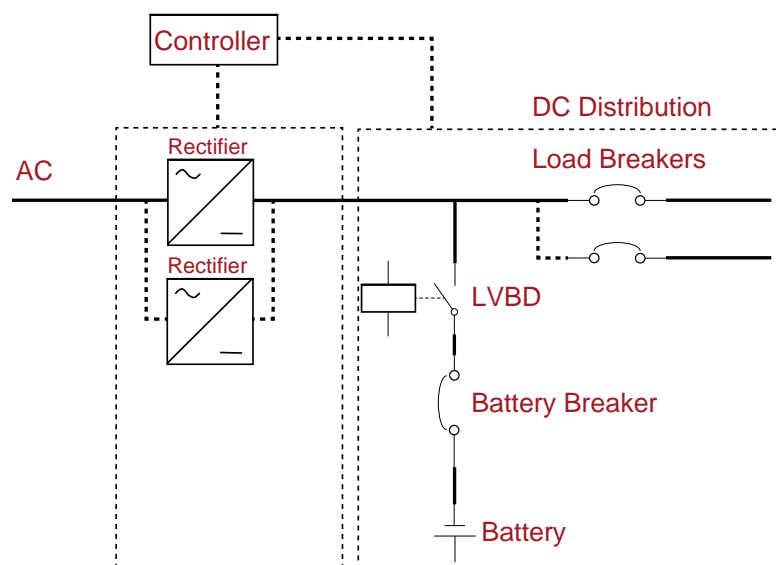


Figure 2-2 *Principal of Operation*

To meet the requirements of different application, there are two kinds of Rear and Top Cover Kit available:

- Rear and Top Cover Kit for cabinets
- Extended Rear and Top Cover Kit for open relay racks.

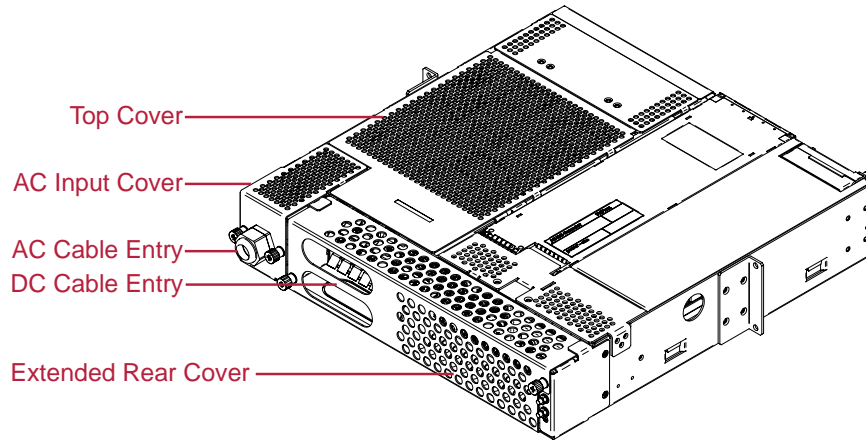


Figure 2-3 Power System With Extended Rear and Top Cover Kit



NOTE The cable entry on the rear of the shelf is factory supplied and opened. If you want to route the cables from the bottom or side, remove the knockouts. For AC cable entry, you have to install the supplied PG21.

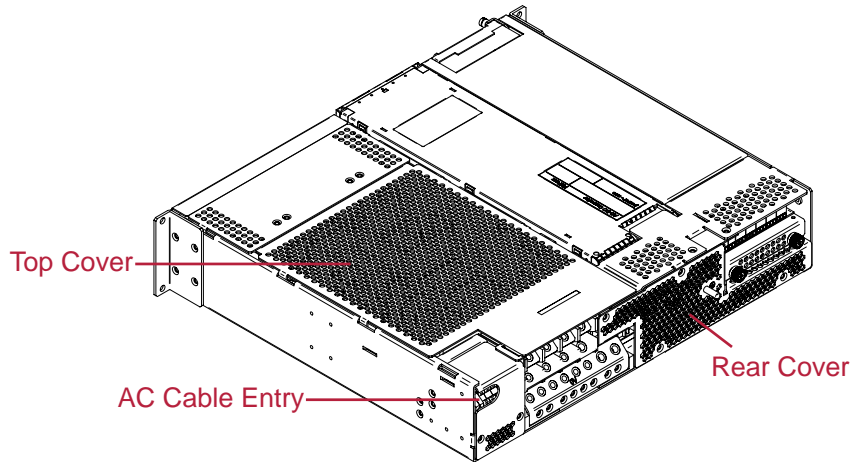


Figure 2-4 Power System with Rear and Top Cover Kit



NOTE The Rear and Top Cover Kit and Extended Rear and Top Cover Kit are optional components and just provided according to your order.

2.2 System Parameters

OUTPUT

Power (max)	5.4kW load + 3.5kW battery charge @ 230/400VAC nominal 8.7kW load + 1.9kW battery charge @ 120VAC nominal
Output Current (max)	100A load + 65A battery charge @ 230/400VAC nominal 70A load + 35A battery charge @ 120VAC nominal
Voltage	44-57.6VDC

INPUT

Voltage Range	100-120VAC, 1W+N+PE, 50/60Hz 200-240VAC, 2W+PE, 50/60Hz 208-240/360-416VAC, 3W+N+PE, 50/60Hz
Frequency	47-63Hz
Input Current	1-phase 50A @ 100-120VAC, 39A @ 200-240VAC 3-phase 13A per phase @ 230/400VAC
Power factor	>0.98
Surge Protection	Optional

DC DISTRIBUTION & BATTERY MANAGEMENT

Battery Breakers	1 or 3 x 80A, 100A or 125A
Symmetry Inputs	Up to 6
Programmable LVD / PLD	125A (voltage) / 125A (voltage/time)
Load Breakers	5 x 18mm / 6 x 13mm, depending on number of battery breakers.
Ratings (see datasheet for details)	single pole - 4A, 6A, 10A, 16A, 20A, 25A, 32A, 40A, 50A, 63A two pole - 80A, 100A; three pole - 125A, 150A

MONITORING AND CONTROL

Controller	PCC or ACC Extended
Local Interface	4 x 20" LCD, 4-key menu, USB (ACC only) and RS232
Remote Interface	Ethernet / Modem using PowCom™ software
Visual Indication	Green LED - System On Yellow LED - Message(s) Red LED - Alarm(s)
Analog Inputs	12 x voltage inputs (range 0-100VDC) - 6 max. for symmetry
Alarm Outputs	4 x potential free relays (C, NC, NO)
Digital Inputs	2 x, Logic 0: U<10VDC, Logic 1: U>12VDC (ACC only)
Digital Outputs	2 x, open collector type (ACC only)
Temperature measurement	2 x Temperature probe (Battery, Ambient)

CONNECTIONS

Battery connections	M8 lugs, +Ve common from bus bar
AC connections	Max. 7AWG/10mm ² , screw type connector
Load breaker connections	-Ve termination direct to breakers, +Ve common from busbar 11AWG/4mm ²
Alarm connections	Max. 14AWG/1.5mm ² , screw type connector

MECHANICAL

Dimensions (WxHxD)	19" (483mm) x 3.5" (88mm) x 16.8" (428mm) std cover 19.7" (500mm) ext. cover
Weight of the system (fully equipped)	47lbs (21.3kg)
Mounting Options	19" / Mid-mount
Cable Entry	Rear Access (top/rear covers have to be removed to make some connections)

STANDARD COMPLIANCE / ENVIRONMENTAL

EMC and Immunity	EN 300 386 ; EN61000-6-3 (Emission) ; EN61000-6-2 (Immunity)
Safety	IEC60950-1:2005 2 Ed. +A1:2009
Environment	Storage: ETS300 019-2-1, Transport: ETS300 019-2-2, Operation ETS300 019-2-3, Damp Heat: IEC60068-2-78
Operating Temperature	-40°C to +65°C (derated above 55°C)
Storage Temperature	-40°C to +85°C

RECTIFIER MODEL	FMPe20.48G	FMP25.48G	FMPe30.48G
Efficiency	96%	92.5%	95%
Input Current (max)	<11.6A	<16.8A	<17.0A
Output Current (53.5V float)	37.4A	46.7A	54.2A
Output Power	1100W @ >180VAC 2000W @ 90-180VAC	1400W @ >180VAC 2500W @ 90-180VAC	1700W @ >180VAC 2900W @ 90-180VAC
Operating Temperature (without derating)	55°C	55°C	55°C
Input Voltage (Nominal 100-240VAC)	90-300VAC		85-300VAC
Output Voltage		44-57.6VDC	
Load sharing		< 5% of nominal current	
Dimensions (HxWxD)		1.6 (41) x 4.2 (107) x 14 (355) "(mm)	
Weight		4.6lbs / 2.1kg	
Cooling		Fan-cooled, speed controlled	
Protection		Short circuit, automatic current/power limiting, input/output overvoltage, thermal	
Alarms		Fan failure, Short circuit/arcing protection, High temperature/output voltage Low output voltage, Input voltage out of range Low fan speed (warning) Internal communication failure	
LED Indication	Green: AC normal operation Yellow: Steady - Low fan speed, High temperature Flashing - Communications failure Red: Module alarm / shutdown		
Audible noise		<45dBA @ ≤25°C (50% load) <60dBA (100% load)	



NOTE For details of FMP20.48 and FMP30.48C available only in APAC region please see individual datasheets.

2.3 System Components

With the exception of the rectifier modules the Guardian Access 2U system is delivered with all components mounted according to the ordered configuration. The main components are described below and in later chapters of this manual.

2.3.1 System Controller

The Guardian power system can be controlled by the ACC Extended or PCC controller. The description and operation of these controllers is covered in separate manuals which are available at:

ACC Extended: <http://www.unipowerco.com/pdf/acc-man.pdf>

PCC: <http://www.unipowerco.com/pdf/pcc-man.pdf>

2.3.2 DC Distribution Unit

The distribution unit includes configurable load breakers, battery breakers, a shunt for battery current measurement and fuse alarms for load and battery breakers.

The distribution unit has no special operation other than switching the load and battery breakers on and off. All trip states of breakers are supervised by measuring the voltage drop across each breaker.

Breakers that are not connected to any load will not cause a breaker alarm even if they are left open.

A battery fuse alarm may not be triggered instantly when a battery breaker is off. The alarm is triggered only when the voltage drop between the system voltage and the battery voltage is more than 1.5V. The interval that the voltage drop increases to 1.5V depends on the battery status.

Due to a small leakage current (2.5-3mA) through the alarm circuit, the voltage measured with a Digital Volt Meter (DVM) on an open breaker output will be nearly equal to the rectifier output voltage.

The distribution module has common “+Ve” with load breakers in “-Ve” leg. For more information see schematic drawing in Appendix A - Drawings.

2.3.2.1 Low Voltage Disconnect (LVD) and Dummy LVD

Generally, the system is equipped with low voltage battery disconnection, which prevents the batteries from deep discharging, thus prolonging the battery life. A disconnection requires a detected mains failure at the supervision unit.

If disconnection occurs, the batteries will not supply power to the load until they have been recharged to set voltage level, which can be adjusted by the user.

If disconnection occurs, the batteries will be reconnected when mains supply returns.

A dummy LVD can also be installed into the power system if the Low Voltage Disconnection function is not needed.

2.3.2.2 Partial Load Disconnection / Load Shedding (PLD)

Partial load disconnection can be configured to be voltage or time dependent, this is selected when ordering the power system.

At a mains outage the controller will open the PLD contactor when the batteries have discharged to a certain voltage or if the battery voltage has been under a certain voltage for a predetermined time. The disconnection has to be set according to the present load and battery manufacturer's discharge tables or requirements.

2.3.3 Rectifier Module

The fan-cooled rectifier converts the AC input to -48VDC output for loads and batteries. It is designed for parallel operation and plug-in installation in the power shelf and supplies extremely stable DC power.

Each rectifier incorporates an internal microprocessor that sends frequent updates to the system controller and adjacent rectifiers. This ensures accurately controlled load sharing among rectifiers and supplies status and identification information to the controller.

The rectifier module features two LEDs for status indication, thermal protection with power derating, and input over voltage disconnection with automatic reset. The rectifier module is hot-swappable and can be quickly removed and replaced without disrupting the system or load.

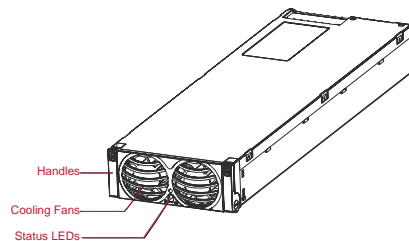


Figure 2-5 Guardian Rectifier

3.1 Safety Warnings and Guidelines

The following warnings and guidelines should be followed by properly trained and authorized personnel when installing, operating, commissioning or maintaining this equipment. Neglecting the instructions may be dangerous to personnel and equipment.

3.1.1 System Markings

The following markings are found on the Power System:

Ground Symbol



DC Ground Symbol



Product Label - The product label contains the system part number, model number, system ratings and safety approvals. The label is located inside the system.

Safety Label - The safety label is located inside the system.

3.1.2 Safety Recommendations

Any device that uses electricity requires proper guidelines to ensure safety.

- The Power System should only be installed or serviced by a qualified personnel.
- Always keep tools away from walkways and aisles. Tools present a tripping hazard in confined areas.
- Keep the system area clear and dust-free during and after the installation.
- Always know the location of emergency shut-off switches in case of an accident.
- Always wear appropriate eye protection and use appropriate tools for working with high voltage equipment.
- Do not perform any action that creates a potential hazard to other people in the system area.
- Never work alone in potentially hazardous conditions.
- Always check for possible hazards before beginning work.
- Remove watches, rings and jewelry that may present a hazard while working on the power system.

3.1.3 Installation Warning

The following safety guidelines should be observed when transporting or moving the system:

- Before moving the Power System, read the system specifications sheet to determine whether the install site meets all the size, environmental, and power requirements.
- The system should only be moved by qualified personnel and equipment.
- The Power System should be properly mounted to the building structure at the install location to prevent bodily injury.
- Installation of the equipment in the rack should be properly installed so that hazardous conditions are not present due to uneven loading.
- When installing the system in a rack, allow adequate room to prevent blocking of the vent openings on the power equipment and to allow for optimal air circulation and to reduce the chance of system overheating.

3.1.4 Restricted Access Area Warnings

The Power System is designed for installation in locations with restricted access often secured by a locking mechanism. It can therefore be accessed only by a trained service person, who is fully aware of the restrictions applied to the location, or by an authority responsible for the location.



NOTE This may be disregarded for systems delivered in a UNIPOWER Outdoor enclosure.

3.1.5 System Enclosure

Appropriate measures need to be taken to avoid intrusion of any unwanted objects or insects into conductive areas of the power system as there is a potential risk of system damage.

Disclaimer: UNIPOWER LLC assumes no liability or responsibility for system failures resulting from inappropriate enclosure around the system.

3.1.6 Operating Temperature Warnings

To prevent the Power System from overheating, an automatic shutdown mechanism has been installed. It is not recommended to continually operate the Power System in an area that exceeds the maximum recommended operating temperature.

3.1.7 Electrical Safety Warnings

The following are electrical safety recommendations for working near the Power System:



WARNING Observe low voltage safety precautions before attempting to work on the system when power is connected. Potentially lethal voltages are present within the system.



WARNING Caution must be exercised when handling system power cables. Damage to the insulation or contact points of cables can cause contact with lethal voltages. For safety reasons, cables should be connected to the power system before power is applied.

- Remove all metallic jewelry like watches or rings that may present a hazard while working on the power system.
- Before connecting the AC input source to the power system, always verify voltage.
- Verify the AC source capacity. See system specifications for AC information.
- All AC connections must conform to local codes and regulations, e.g. ANSI, CEC, NEC, etc.
- When making AC connections, all AC power and DC load distribution breakers should be in the OFF position.
- All circuit breakers should meet the original design specifications of the system. In addition, equipment connected to the system should not overload the circuit breakers as this may have a negative effect on overcurrent protection and supply wiring, causing system or user harm.
- Verify the DC capacity before making connections. See system specifications for DC information.
- Potentially lethal voltages are present within the system. Ensure that all power supplies are completely isolated by turning all power switches OFF, disconnecting all relevant connectors and removing all relevant breakers before attempting any maintenance work. Do not rely on switches alone to isolate the power supply. Batteries should also be disconnected.
- Potentially lethal voltages are present within this system. Ensure that low voltage safety requirements are implemented before attempting to work on the system with power connected.
- Potentially lethal voltages can be induced if the equipment is not grounded (earthed) correctly. Ensure that all ground connections are secure.

3.1.8 Grounding



WARNING Grounding connection must be performed **before** operating the system. Refer to local codes, e.g. ANSI, CEC, NEC, T1-333, ETSI 300-386-TC specifying the connection of power system to building ground. In case of any doubt regarding the grounding connection, please contact a person responsible for the system.



WARNING The system should be hard-wired to the incoming earth ground. A solid high current ground connection capable of sinking the maximum system current is required.



CAUTION A conductor is connected between the ground point and the 0 VDC bus bar on the PBDU distribution. This conductor is connected to its own earth bar and not shared with other safety conductors.

3.1.9 Batteries



WARNING When installing or replacing batteries, there is risk of explosion if an incorrect battery type is used.

3.1.9.1 Lead Acid Batteries



WARNING This equipment may use Lead Acid Batteries. When handling batteries, follow the instructions included with the battery set, as the fluids contained within these batteries are known to be a health hazard. The disposal of lead acid batteries is subject to legal requirements for hazardous waste disposal. Local guidelines should be followed for disposal.

Ensure the following guidelines are observed when dealing with equipment that may contain lead acid batteries:

- Any attempt to burn these batteries may result in an explosion and the generation of toxic fumes.
- Should a lead acid battery suffer damage, it must be moved into a well-ventilated area. Contact with the corrosive fluid must be avoided.
- Neutralize any acid corrosion with copious amounts of a solution of baking soda and water, and then wipe off all traces of soda.
- If the lead acid battery is removed from the equipment, any exposed contact must be insulated prior to disposal.
- Ensure that protective full-face shields, rubber gloves and aprons are worn and insulated tools are used when working with the batteries. It is advised also to have water available in case acid gets in contact with the eyes.

3.1.10 In Case of an Accident

In the event of an accident resulting in injury:

1. Use caution and check for hazards in the area.
2. Disconnect power to the system.
3. If possible, send someone to get medical aid. If not, check the condition of the victim and call for help.

3.2 Caution

3.2.1 Storage and Transportation



CAUTION During storage and transportation, the units must remain in their original packages in order to avoid mechanical damage, maintain tracability, and protect the units against electrostatic discharge.

3.2.2 Disposal



CAUTION The product should not be disposed with other wastes at the end of its working life so as to prevent possible harm to the environment or human health from uncontrolled waste disposal.

3.2.3 Handling Electrostatic Sensitive Devices



CAUTION An electrostatic sensitive device is an electronic component that may be permanently damaged by the discharge of electrostatic charges encountered in routine handling, testing and transportation.

3.2.4 Traceability



CAUTION Units are labeled with permanently attached product identification labels. The labels are designed to be indelible throughout the life span of the equipment, unless mistreated. Make sure that the product identification labels are present on the equipment and are not subjected to unusual wear or mistreatment.

3.2.5 Breakers

Maximum 45°C operating ambient:

1. UP to 32A CB maximum load must not exceed 80% of it's rating.
2. 40A CB maximum load shall not exceed 30A.
3. 50-63A CB maximum load shall not exceed 35A.

Maximum 55°C operating ambient:

1. Up to 20A CB maximum load must not exceed 80% of it's rating
2. 25A to 63A CB maximum load must not exceed 60% of it's rating.

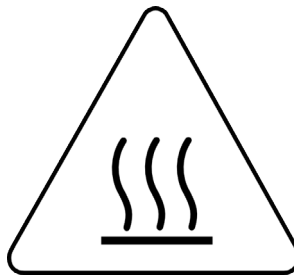
Maximum 65°C operating ambient:

1. Up to 20A CB maximum load must not exceed 80% of it's rating
2. 25A to 63A CB maximum load must not exceed 50% of it's rating.



CAUTION Breakers should always be replaced with the same type and rating in order to avoid damage to system components.

3.2.6 Hot Surfaces



CAUTION Areas of the Power System may become hot. Take precautions and handle with care to avoid bodily harm.

4.1 Preparation

4.1.1 Installation Overview

The following is the recommended sequence for the installation procedures. The sequence may change according to job or actual configuration.

- Unpack and check that all the equipment and materials have been delivered.
- Obtain the recommended tools.
- Check the connecting cable size.
- Mount the power system subrack to a cabinet or an open frame.
- Remove the top cover and knockouts for cable entry (if Extended cover kit is ordered).
- Connect the earth grounding cable.
- Connect the AC input power.
- Connect the loads to the Distribution Unit as required.
- Connect the battery cables between power system and batteries.
- Connect the external alarm, symmetry cable and temperature sensor cable as required.
- Connect the RS232 communication cable (if RJ45-DB9 cable is ordered).
- Insert the rectifiers into the rectifier frame.
- Reinstall the top cover (If cover kit is ordered)

4.1.2 Unpacking

Check that the received equipment is in accordance with the packing list. Ensure that the cabinet and the equipment have not been damaged during transportation.

Report any parts that are damaged, missing or incorrect. If possible, correct the problem before continuing.

4.1.3 Tools

The following tools are required for a safe installation of the system:

- Anti-static hand strap.
- Socket wrench, insulated.
- Screwdriver set, flat, insulated.
- Screwdriver set, torx, insulated.
- Screwdrivers, pozidrive (cross head), sizes 1, 2, and 3, insulated.
- Torque spanner (for battery connection), insulated.



WARNING Use only single-ended, fully insulated tools. Shafts of screwdrivers etc. should be insulated.



CAUTION Installation in USA / Canada must conform with the requirements in NEC/CEC.



CAUTION Care must be taken when installing this system. The units can be damaged and can cause damage if not handled with care. Pay particular attention to the order in which units are installed.

4.1.4 Cable Size

Please use the recommended cable size given below for the system installation.

Port	Current Max.	Cable Size Min.(mm ²)	Cable Size Min.(AWG)	Temperature Rating
AC Input -L1	32A	10mm ²	7 AWG	105°C
AC Input -L2	32A	10mm ²	7 AWG	105°C
AC Input -L3	16A	10mm ²	7 AWG	105°C
AC Input -N	32A	10mm ²	7 AWG	105°C
AC Input -PE	-	10mm ²	7 AWG	105°C
Battery MCB	80A	20mm ²	4 AWG	105°C
Battery MCB	100A	25mm ²	3 AWG	105°C
Battery MCB	125A	35mm ²	2 AWG	105°C
DC Load -MCB	63A	16mm ²	5 AWG	105°C
DC Load -MCB	50A	14mm ²	6 AWG	105°C
DC Load -MCB	40A	10mm ²	7AWG	105°C
DC Load -MCB	32A	8mm ²	8 AWG	105°C
DC Load -MCB	25A	8mm ²	8 AWG	105°C
DC Load -MCB	20A	6mm ²	9 AWG	105°C
DC Load -MCB	16A	4mm ²	10 AWG	105°C
DC Load -MCB	10A	2.5mm ²	14 AWG	105°C
DC Load -MCB	6A	2.5mm ²	14 AWG	105°C
DC Load -MCB	4A	1.5mm ²	15 AWG	105°C

Table 4-1 Recommended Electrical Cable Size

Circuit Breakers must not exceed the below loading based on maximum 55°C operating ambient:

- For load breaker rated 5 to 32A, the maximum load must not exceed 80% of rating value.
- For load breaker rated up to 63A, the maximum load shall not exceed 40A if space is provided between breakers. Maximum 30A is allowed if no space provided.
- For battery breaker rated up to 80A, the maximum load shall not exceed 80% of rating value.
- For battery breaker rated 100 to 125A, the maximum load shall not exceed 75A.

4.2 Rack Mounting

There are two mounting brackets installed on the front left and right side of the power system to enable you to securely fasten the sub-rack to a cabinet or an open frame.



NOTE For ease of mounting the power rack it is recommended to remove the rectifiers.



NOTE When mounting the system to an open frame, the brackets should be moved to the middle position.

To mount the subrack into a cabinet, follow the steps below:

1. Determine the installation position according to system measurement. Refer to the Appendix A for details. Re-install the mounting bracket in another position if necessary. Refer to the figure 4-1 below.

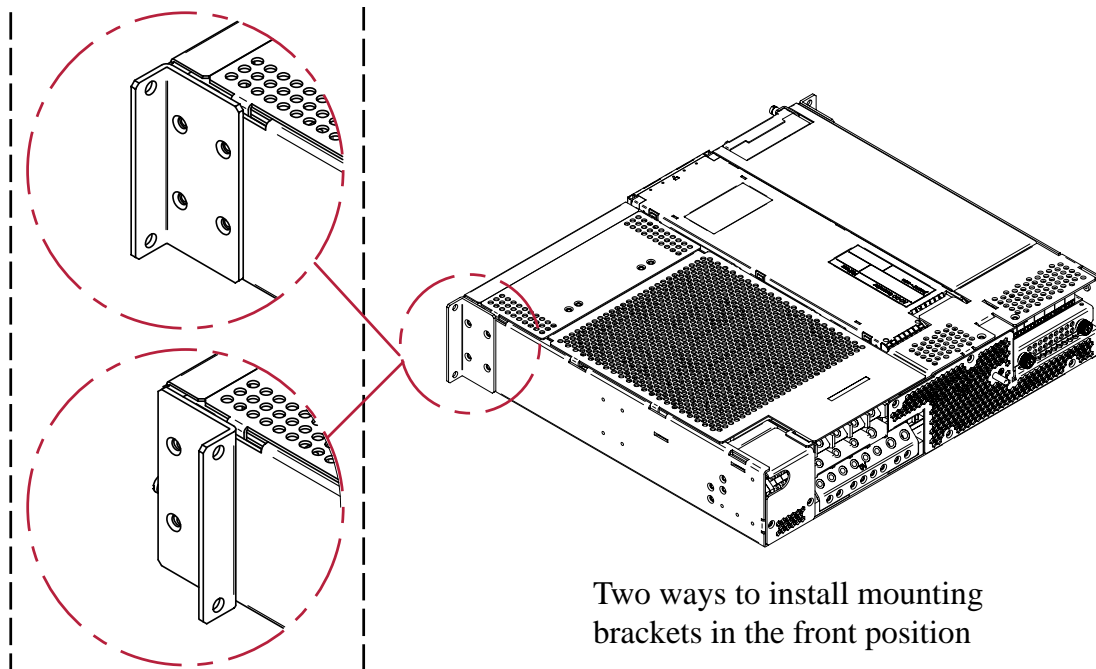
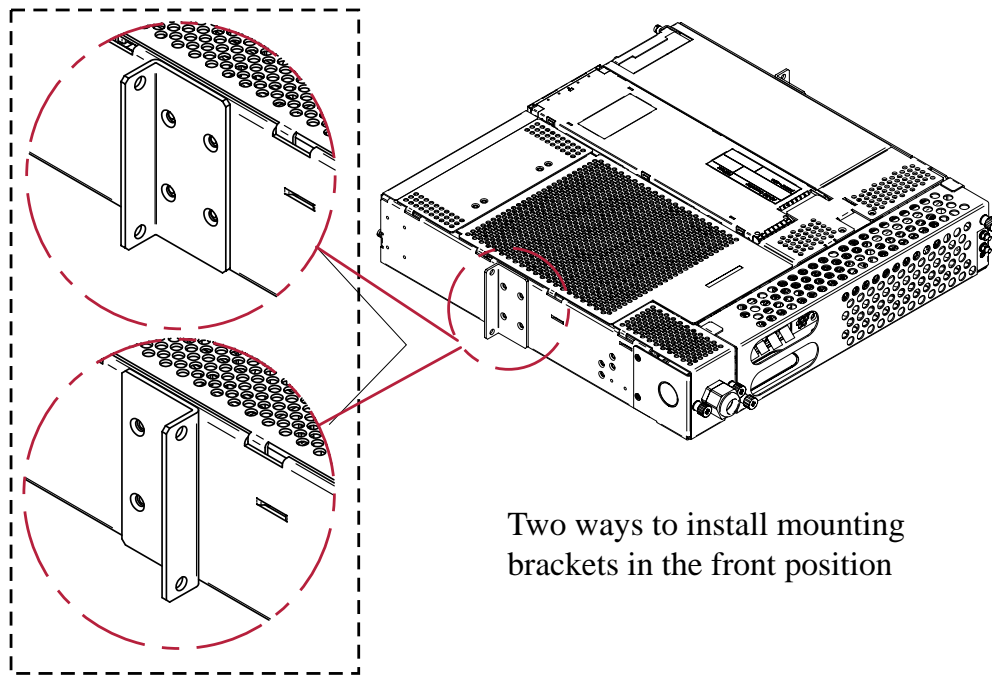


Figure 4-1 System Mounting - Cabinet

2. Place the system into the cabinet.
3. Fasten the system into the cabinet by using four M6 x 12mm screws and mounting brackets on the front left and right side of the unit. Tighten the screws to 6 Nm.

To mount the system into an open frame, follow the steps below:

1. Determine the installation position according to system measurement. Refer to the Appendix A for details.
2. Remove the mounting brackets on the front left and right side of the system.
3. Refix the mounting brackets to the middle left and right side of the system.
4. Place the system into the open frame.
5. Fasten the system to the open frame by using four M6 x 12mm screws and the mounting brackets. Tighten the screws to 6 Nm.



Two ways to install mounting brackets in the front position

Figure 4-2 System Mounting - Open frame / relay rack

4.3 Cable Entry

The plastic AC rear cover is the default configuration and should be removed for connecting the AC cable. If the Rear and Top Cover Kit or Extended Rear and Top Cover Kit is installed, the top cover and extended rear cover should be removed for connecting AC, DC and alarm cables.

4.3.1 Remove Top Cover

If the Rear and Top Cover Kit is installed, follow the steps below to remove the top cover and AC cover:

1. Remove plastic AC rear cover by loosening two screws.
2. Push the top cover backward and then lift it to remove the cover.

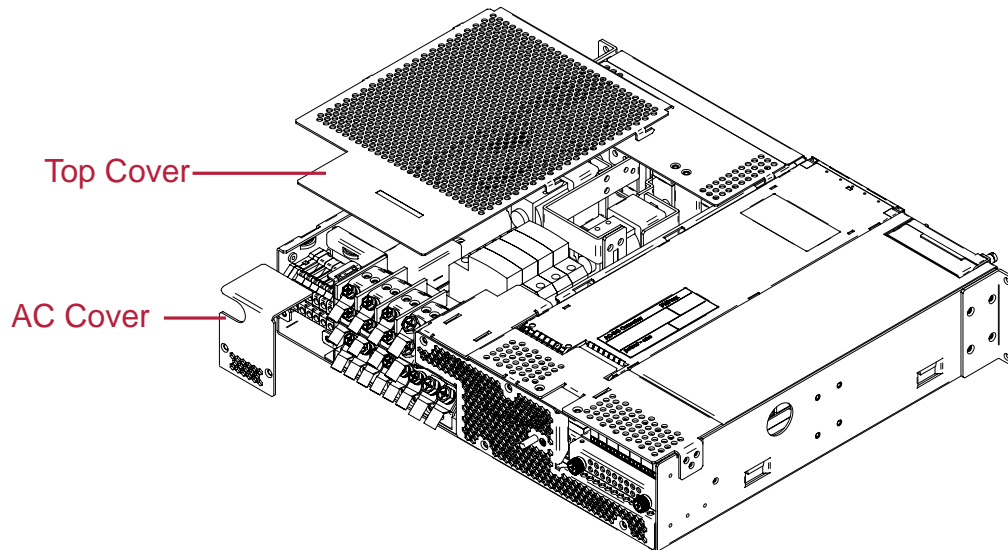


Figure 4-3 Remove Top Cover

If the Extended Rear and Top Cover Kit is installed, follow the steps below to remove the extended rear cover and top cover:

1. Remove the AC input cover assembly and rear cover assembly by loosening the retaining screws.
2. Remove the support assembly of the Extended Cover Kit by unscrewing four screws fixed to power system.
3. Follow the steps of “Removing Top and AC Cover” to remove the plastic AC cover and top cover.

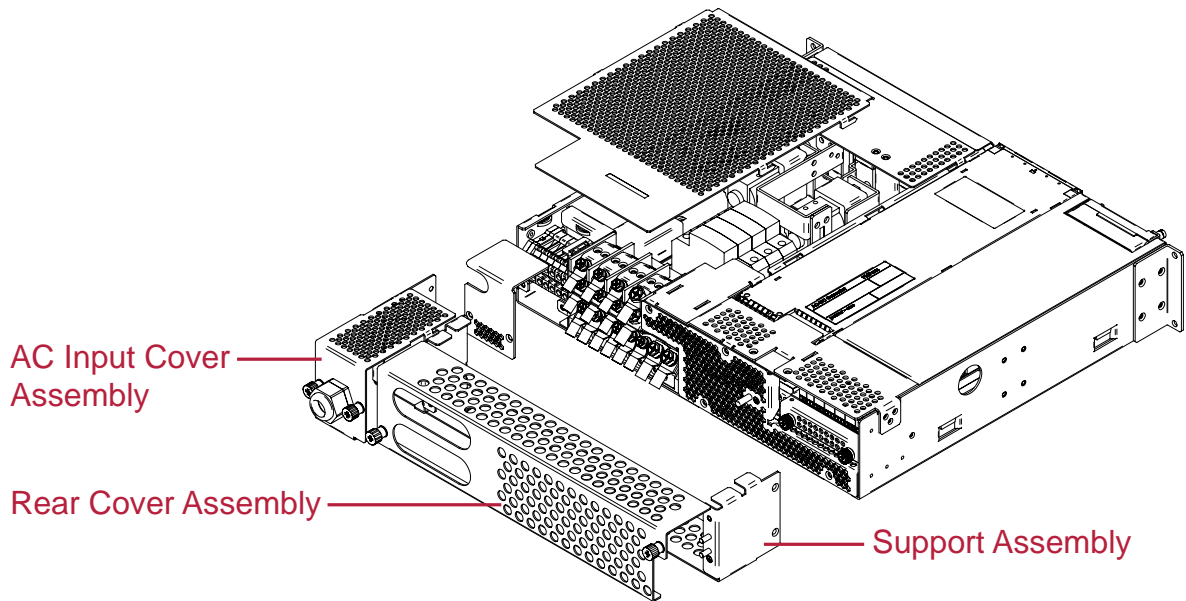


Figure 4-4 Remove Extended Cover Kit

4.3.2 Cable Entry Openings

The Extended Rear and Top Cover is designed with two knockouts and one circular opening for AC cable entry plus and three larger openings for DC and alarm cable entry.

When connecting and routing the AC cable from the right hand side or the bottom, first remove the knockout, then install the supplied PG21 to fix the AC cable.

Figure 4-5 below depicts three types of AC and DC cable entry.

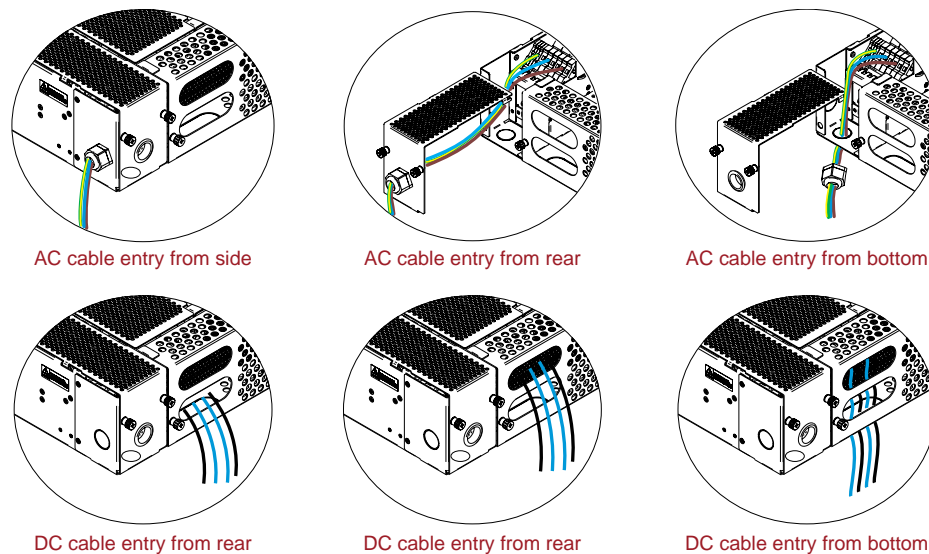


Figure 4-5 Cable Entry Options

4.4 Grounding Connection

Earth grounding connection is essential before connecting supply.

The positive DC busbar is connected to the grounding point in the rear of the system using a copper bar. The grounding pole of the system is located in the rear right corner if no cover is installed.

1. Switch off all breakers on the distribution panel.
2. Connect an insulated cable with a cross-sectional area of 16mm^2 (5AWG) between the earth connection point of the system and the Main Earth Terminal (MET).
3. Tighten the cable connection to a torque of 8 Nm.

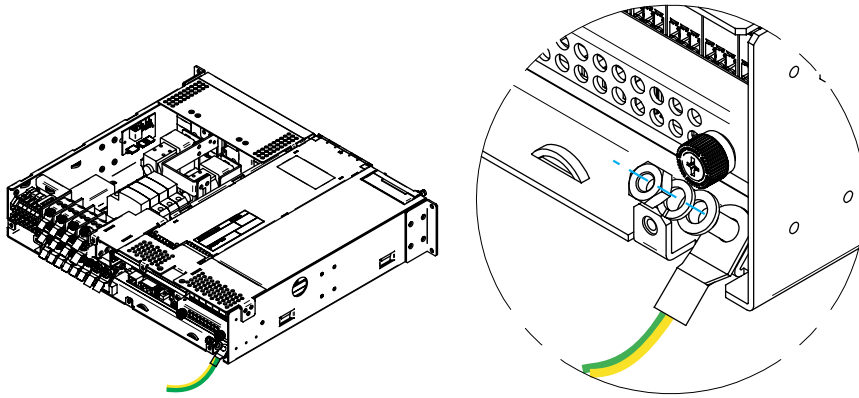


Figure 4-6 Grounding Connection

If the Rear and Top Cover Kit is order and installed, the grounding pole on the rear cover is supplied for convenient connection and cabling. Figure 4-7 below depicts how to connect the earth grounding cable to the rear cover.

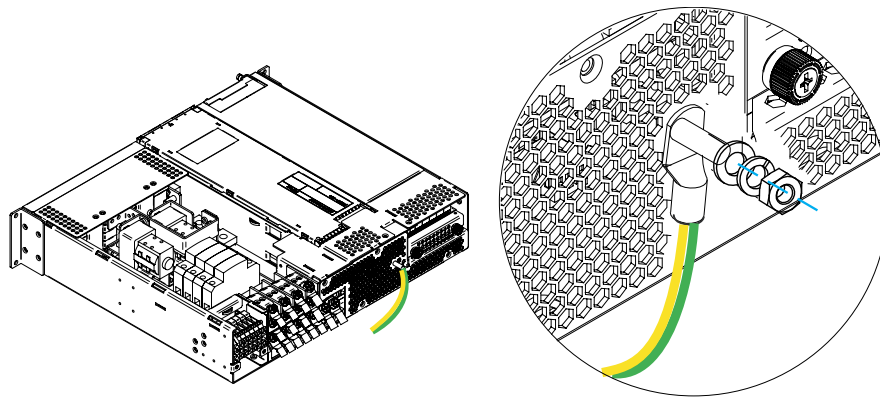


Figure 4-7 Grounding Connection with Rear & Top Cover Kit

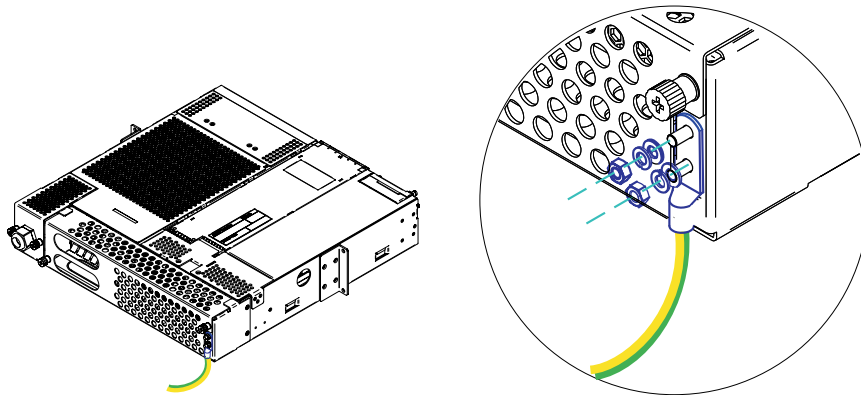


Figure 4-8 Grounding Connection with Extended Rear Cover Kit - Two Point

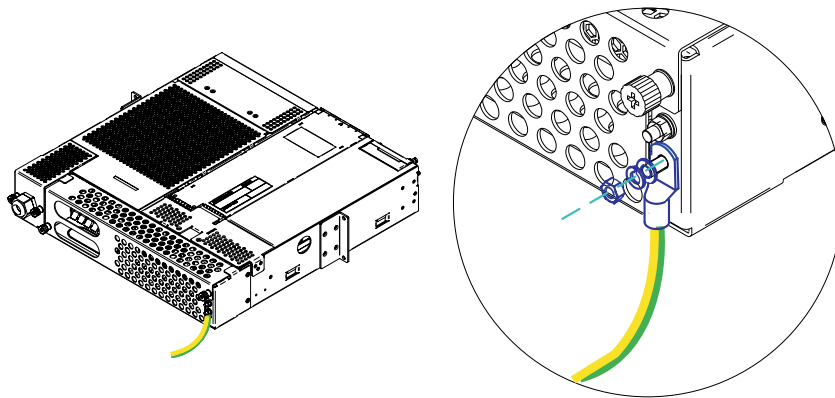


Figure 4-9 Grounding Connection with Extended Rear Cover Kit - Single Point

4.5 AC Input Connection



WARNING Ensure that mains input is turned off before connecting. The grounding must be connected to PE terminal as first.



WARNING High leakage current. Ensure earth is connected before connecting mains supply.



WARNING Only a qualified electrician may carry out the mains installation.



CAUTION Depending on deployment region with regards to lightning strikes and heavy inductive energy, it is highly recommended to install AC Surge Protection Class C, if not delivered with the system..



WARNING Used cable must be inserted into the terminal with as little insulation removed as possible, so as to prevent any stranded conductor coming loose and touching any other conductive parts. Tighten terminals securely with torque 1.5-1.8Nm.

1. Strip the AC input cable conductors to the correct length for connection to the terminals.
2. Route the AC input cable through the AC cable entry and connect the cable to the AC terminals and tighten the screws to 1.5 - 1.8 Nm.
3. The mains input terminal blocks can be connected to:
 - 1-phase 110VAC or 230VAC (Figure 4-10)
 - 3-phase 110/190VAC or 230/400VAC (Figure 4-11).

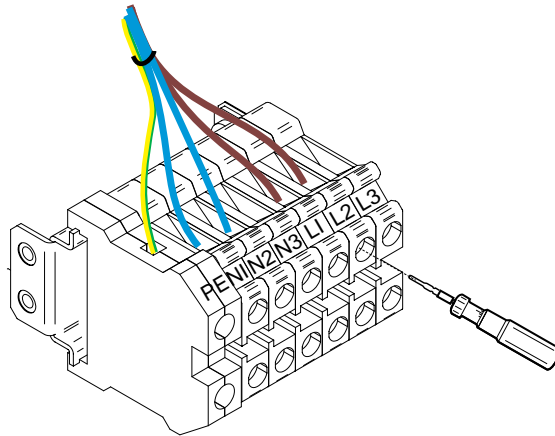


Figure 4-10 AC Cable Connection (1-phase)

Recommended mains breaker:

1-phase 110VAC or 1-phase 230VAC: UL listed, Single pole 3 x 50A C-characteristics.

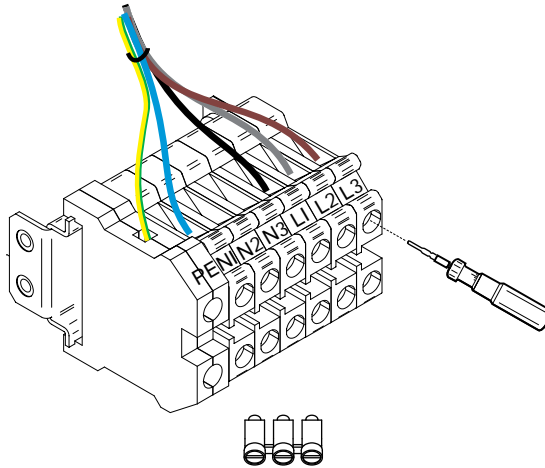


Figure 4-11 AC Cable Connection (3W+N+PE)

Recommended mains breaker:

3-phase 230/400VAC: UL listed, Three pole 25A C-characteristics.

4. If the power system is to be connected to 208-240V North American 3-phase power source, you have to first connect terminal L1 with N3, L2 with N1 and L3 with N2 (3W+PE). Refer to Figure 4-12 for details.

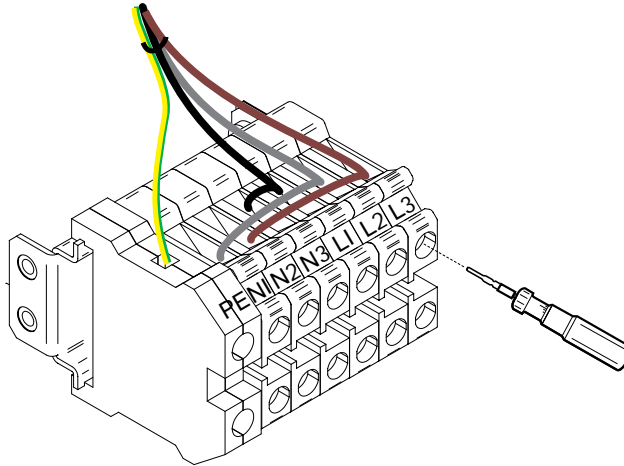


Figure 4-12 AC Cable Connection in North American (3W+PE)

4.6 DC Load Connection

Before connecting DC load cables, check that the cable rating is matched with selected the MCB and/or load.

1. Check that all the load MCBs are in the OFF position.
2. Connect the negative (-) cable from the load to the relevant -48V bus bar at the rear of the power rack. Use the M6 Hex screw and washer to fix the load cable lug and tighten to 8.0 Nm. The -48VDC bus bar has been connected to the relevant DC breakers. Connect the positive (+) cable from the load to the relevant positive terminal on the bus bar. Insert the stripped cable into the opening on top of the terminal and tighten the screw to 3.0 Nm.
3. Connect the positive (+) cable from the load to the relevant positive terminal on the bus bar. Use the M6 Hex screw and washer to fix the cable lug and tighten to 8.0 Nm.
4. Check the load connection is right and load can be controlled by the corresponding load breaker.

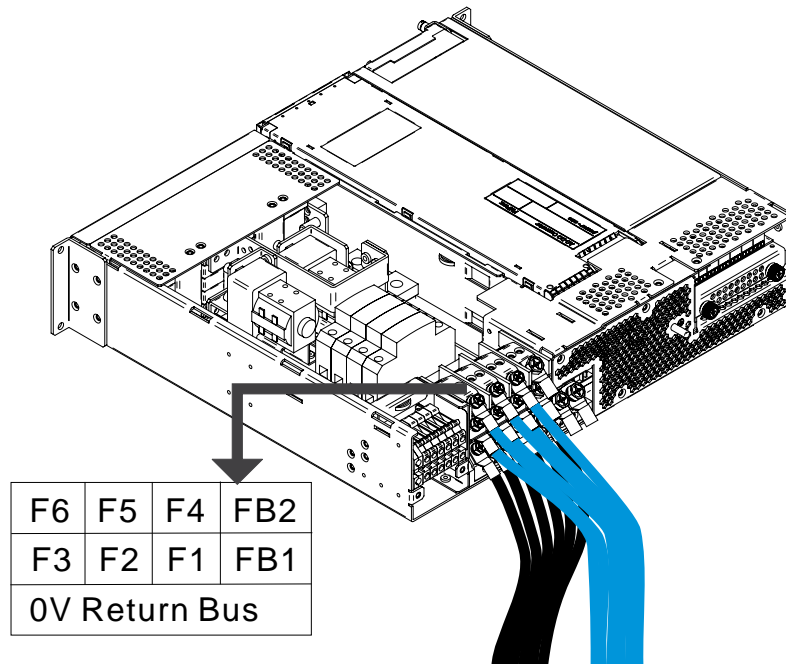


Figure 4-13 DC Load Connection

4.7 Battery Connection

The battery cables are not delivered with the system.

1. Check that all the battery MCBs are in the OFF position.

2. Connect the negative (-) cable of each battery string to the relevant -48V bus bar at the rear of the power rack. Use the M8 Hex screw and washer to fix the load cable lug and tighten to 20 Nm. The -48VDC bus bar has been connected to the relevant battery breakers (FB1, FB2). Refer to Appendix C for details.
3. Connect the positive (+) cable of each battery string to the relevant positive terminal on the bus bar. Use the M8 Hex screw and washer to fix the cable lug and tighten to 20 Nm.
4. Connect the other ends of the battery cables to the “-“and “+” terminals of the batteries.

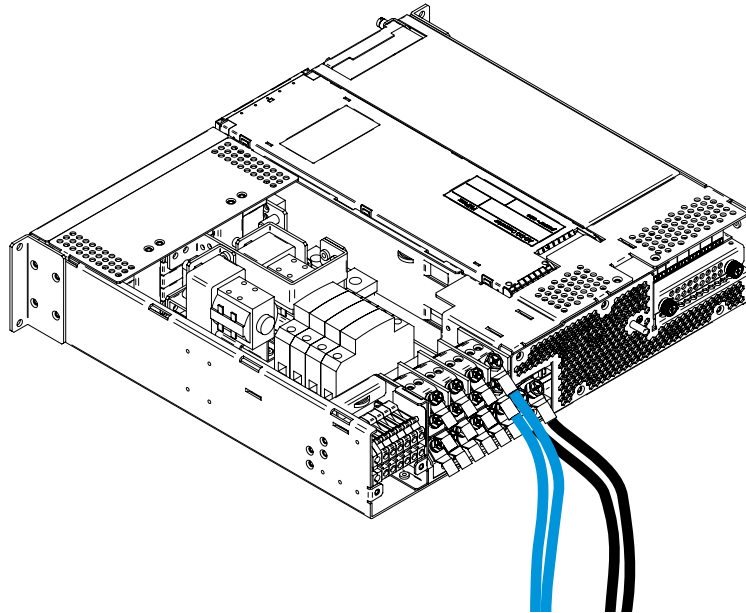


Figure 4-14 Battery Connection

4.8 Alarm and Signal Connections

There are three kinds of alarm interface board for selection to meet the user’s requirement.

- PCC External Board: Select this if the PCC internal communication board is selected.
- ACC External Board: Select this if the ACC internal communication board is selected and a maximum of 4 alarm relay outputs are required.
- ACC Relay Board: Select this if the ACC internal communication board is selected and 5 - 10 alarm relay outputs are required.

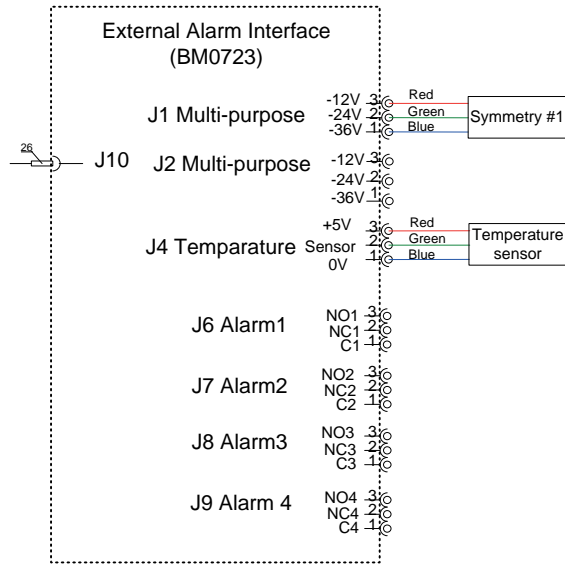


Figure 4-15 PCC External Board

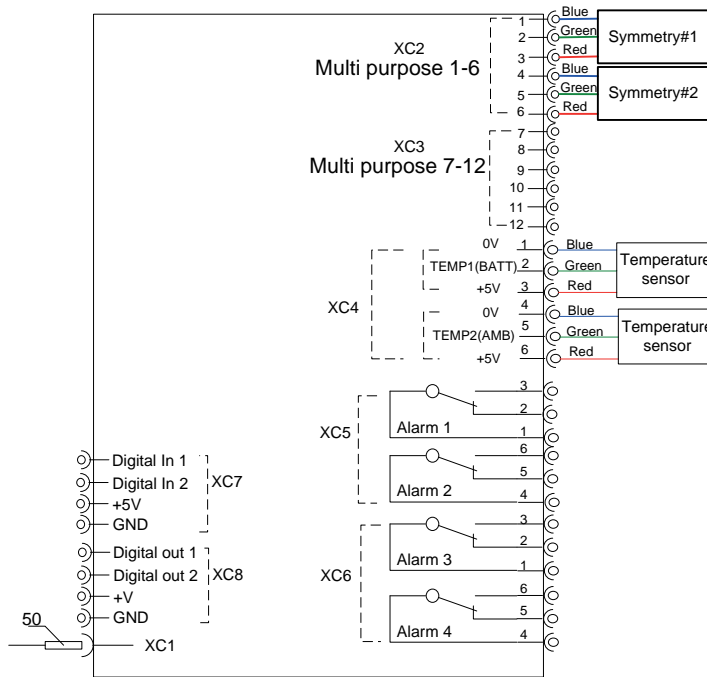


Figure 4-16 ACC External Board

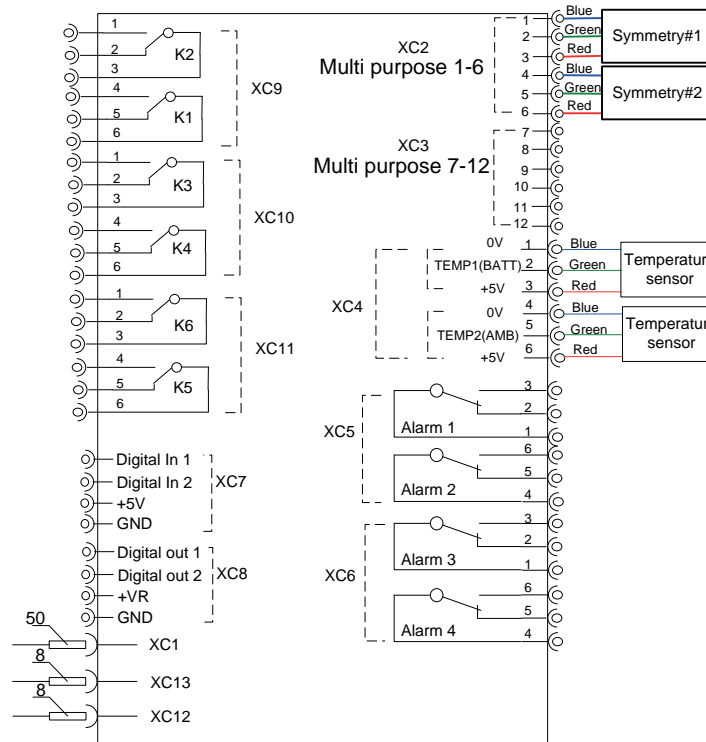


Figure 4-17 ACC Relay Board

The alarm interface board is located in the top right side of the system. To connect the alarm cable to the alarm interface board, follow the steps below:

1. Pull out the alarm interface board support by unscrewing two retaining screws on the rear of the power system (Figure 4-18, #1).
2. Remove the green plug from each connector (Figure 4-18, #2)
3. Determine whether to reference normally closed or normally open with reference to common for each alarm contact.
4. Strip the wires back approximately 10mm. Stranded wire may be soldered or covered with copper ferrule if desired.
5. Insert the wire into the openings of green plug and tighten screw to clamp wire (Figure 4-18, #3).
6. Re-insert the the green plug with the alarm cable into the alarm interface board (Figure 4-18, #4).
7. Replace the alarm interface board support and fix it.

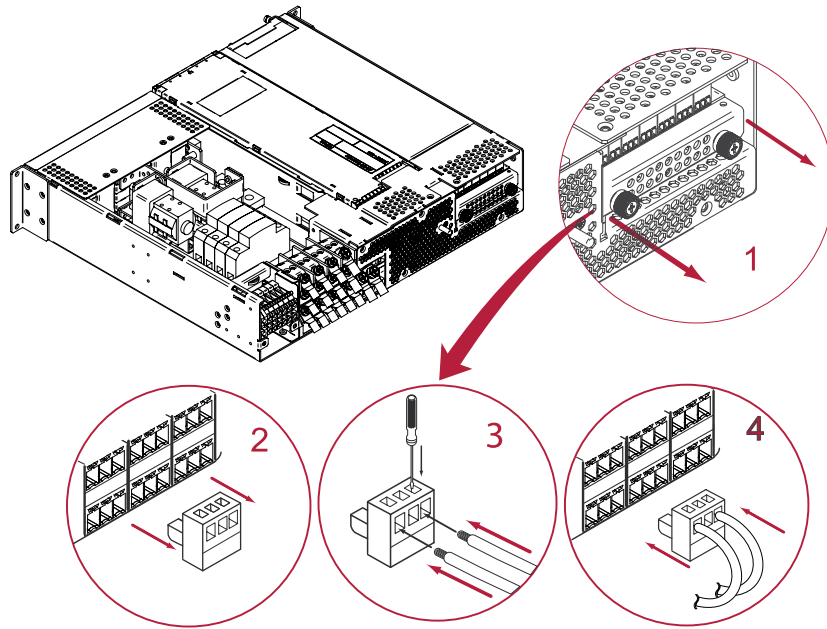


Figure 4-18 Alarm Connection



NOTE The alarm configuration will be dependent on your system configuration.



NEED MORE INFORMATION? For detailed information regarding Alarm connection see Appendix A, Installation Drawing.

4.9 Symmetry Connection

The ACC controller can supervise 4-block symmetry measurements on 4 battery branches. If the PCC controller is used, only 2 battery branches can be measured on 4 blocks.



NOTE Symmetry cables are pre-connected to the system.



NOTE Multi Purpose inputs which are not used for symmetry measurement can be reconfigured to user defined analog inputs.

1. Insert a suitably sized cable lug into one pole of the inter-block connection plate. Fasten the lugs and plates to individual battery poles.
2. For 2-block battery symmetry measurement fix one wire of the symmetry cable to the cable lug in the mid-point of the battery string, see Figure 4-19.

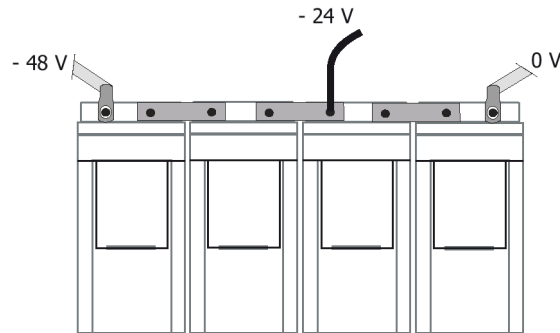


Figure 4-19 2-block Symmetry Measurement (for illustration only)

For 4-block measurement fix the 3 wires (red, green and blue) of the symmetry cable to individual cable lugs. Color coding of the cables must be followed for proper symmetry measurement, see Figure 4-20.

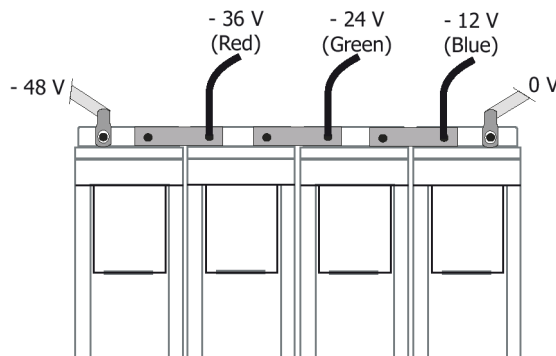


Figure 4-20 4-Block Symmetry Measurement (for illustration only)



NOTE The interblock Connection Kit is not delivered with the system.

4.10 Temperature Sensor Connection



NOTE The power system is usually delivered with pre-connected temperature sensor cables. If not, use a three-pin plug and connect according to the [Appendix A - Installation Details](#).

Battery Temperature

Temperature sensor 1 measures the temperature of the battery bank while the controller adjusts the float charge voltage according to the temperature compensation factor set in the controller. This factor must be set in the controller according to the battery manufacturer ‘s recommendations.

Fasten the temperature sensor in the middle of the battery bank, Figure 4-21.

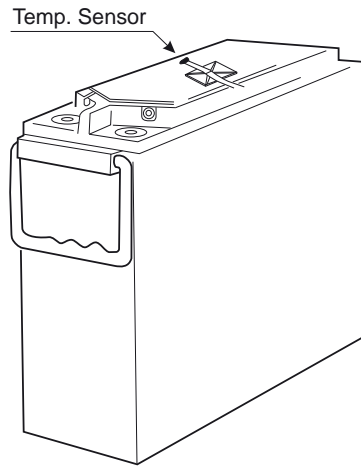


Figure 4-21 Temperature Sensor Connection



NOTE The temperature compensation factor can be set only for temperature sensor 1.

Ambient Temperature

Temperature sensor 2 allows a second temperature reading, most commonly the ambient temperature around the system. Place the sensor as required.

The temperature is displayed in the External Measurements menu in the ACC controller or in PowCom™ software.



NOTE Temperature sensor 2 can be activated only in the systems with the ACC controller installed.

4.11 Connecting an RS232 Communication Cable

The controller can communicate with an external device such as a network interface card through an RS232 connection.

1. Remove the top cover of the controller.
2. Connect the RJ45 port of the RS232 communication cable to the RJ45 port marked with RS232 on the internal communication board.
3. Pull out and fix the DB-9 connector of the RS232 communication cable for application.
4. Re-install the top cover of controller.

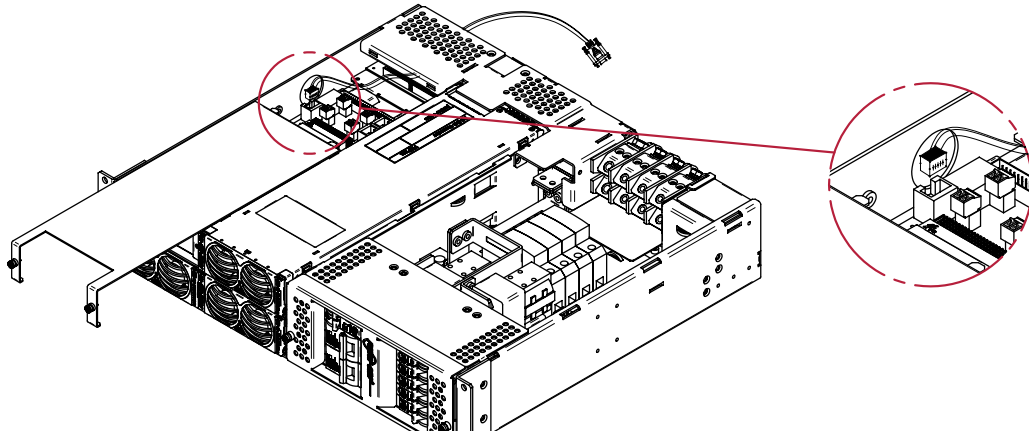


Figure 4-22 RS232 Connection

4.12 Rectifier Installation



NOTE Ensure that the rectifier handle is in the OPEN position (forms 35-40° angle with rectifier body) before inserting the module into the slot.

Rectifier module should be installed starting from the bottom left position in the rectifier shelf.

1. Place the rectifier module in the mounting slot with handle facing out.
2. Slide the rectifier module into the slot until it contacts the interface connection at the rear of the shelf, Figure 4-23 #1.
3. Fully insert the rectifier by pushing the handle towards the shelf. The rectifier handle will rise up and lock the rectifier into the position, Figure 4-23 #2.
4. Repeat steps 1 to 3 if more rectifiers are to be installed.

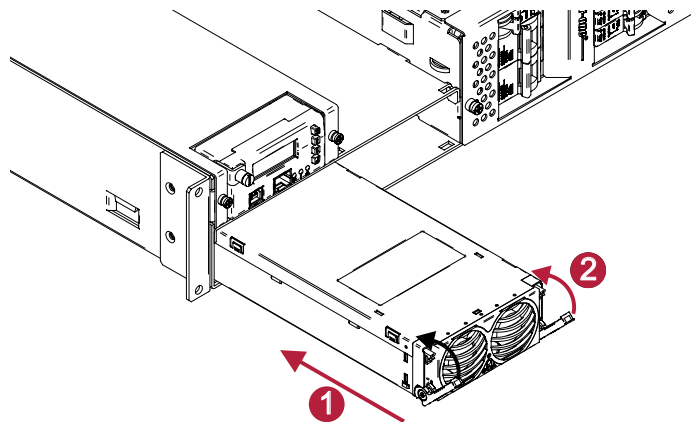


Figure 4-23 Rectifier Installation

4.13 Reinstalling Top Cover

After completing all connections, reinstall the plastic AC cover and/or top cover if Rear and Top Cover Kit is ordered.

1. Install the plastic and transparent AC rear cover on the power rack with two screws.
2. Place the plastic and transparent top cover on the top of the Distribution Unit. Make sure that the top cover and Distribution Unit are matched well.
3. If the Extended Cover Kit is ordered, you have to install all assemblies in order:
 - support assembly
 - rear cover assembly
 - AC input cover assembly

5.1 Commissioning Overview

Before delivery the system was thoroughly inspected and tested. The following chapter is a guide to the set-up and operation of the control functions of the system.



NOTE Before starting commissioning read the product description for the individual components.



WARNING ONLY TECHNICAL STAFF WITH THE NECESSARY EXPERIENCE AND KNOWLEDGE, WITH REGARD TO THE POWER SUPPLY SUPPORT SYSTEM AND ITS BATTERIES, MAY PERFORM THE COMMISSIONING. IT IS IMPORTANT TO FOLLOW ALL SAFETY REGULATIONS.

If there are any difficulties in increasing the voltage to alarm level, the alarm level can be adjusted to a lower level.

5.2 Tools and Test Equipment

5.2.1 Tools List

The essential commissioning tools are listed in the Installation chapter.

5.2.2 Test Equipment

- Multimeter (3½ Digit, 0–1% DC)
- Load resistance, to fully load of two rectifiers

5.3 Preparation

Check the installation to ensure the following:

- Grounding: The equipment is correctly grounded. The grounding cable size, color and routing conform to the requirements.
- Power: The incoming mains AC power is available for this site. The site power switch and circuit breakers are clearly labeled. The power cables are correctly terminated.
- The site is clean and safe. Check that the system/cabinet is free of any unwanted objects or insects that may have got in during the installation.

5.4 Commissioning procedure

1. Remove the covers and check that all connections are made according to the installation drawing. Verify that all connections are properly tightened with sufficient torque.
2. Ensure that load and battery MCB breakers are set to OFF position - ensuring the load and battery strings are connected.
3. Ensure that all rectifier modules are removed. If not, remove each one in turn starting from the rightmost position.
4. If the rectifier subrack has dip switches for addressing, verify that the dip switches are set correctly.
5. Check the battery polarity with the multimeter (3½ Digit, 0.1% dc). Place the positive lead of the meter to the positive busbar and the negative lead to the battery breaker. The meter must now show a positive voltage. If the voltage is negative, change over the connection of the blue and black battery cables to the batteries.
6. Turn on the AC mains voltage.
7. Measure the AC voltage on the AC terminal block between phases and neutral. The correct value is approximately 230V. If the value is different, check the AC connection.
8. Plug in all rectifier modules, starting from the leftmost position. Make sure to fasten the rectifiers again. The rectifiers will turn on automatically.
9. Set all load breakers into the “1” (ON) position.
10. The green LED on the controller should blink for approximately 20 sec.
11. The output voltage will increase slowly to U1 (float charge voltage).
12. Turn the battery breaker(s) to the “1” (ON) position.
13. Set the battery current limit according to the battery manufacturers requirements.
14. If any alarms are present, they should be reset in accordance with the procedure for the installed controller, ACC or PCC.
15. The system should now be without alarms.
16. Attach all the system covers in their correct places.
17. Check that all changes to drawings, if any, have been completed.
18. Clean the site.
19. Fill in the commissioning record (see end of chapter).

5.5 Test of output voltage

5.5.1 Float charge (U1)

Ensure that the controller is operating.

Connect a load, approx. 50% of total capacity, to the system.

Check the voltage according to the battery manufacturer's requirements. If the batteries require a different float charging voltage, adjust the output voltage from the controller. (See the section for the appropriate controller)

If no change is required, use the following values:

Battery type	Float charge	Boost charge
Open lead-acid batteries	2.23 V/Cell	2.33 V/Cell
Valve regulated lead-acid batteries	2.27 V/Cell	-

Table 5-1 Float/Boost Charge Voltages

5.5.2 Adjustment of Float Charge, U1

Unless otherwise ordered the default output voltage is factory pre-set to 53.5V. The total voltage has to be in accordance to the number of battery cells.

Please verify number of cells and the battery manufacturers requirement.

Adjust the output voltage from the control unit as necessary.

5.5.3 Boost charging (U2) (if applicable)

Open lead-acid batteries.

Automatic boost charging - calculation based on the time the battery voltage has been below certain levels. Automatic activating of boost charging for this calculated time multiplied by a (boost) factor.

Activate boost charging from the "Set/select U1-U4" menu in the controller.

Return to float charge manually by selecting "U1", or automatically after a pre-set time.

VRLA batteries.

Most of the manufactures of valve regulated lead acid batteries **do not recommend** boost charging. If this type of battery is used, the boost function should be disabled.

Boost charging figures

Observe and write down all of the boost charging figures. Parameters to be read/set/adjusted from control unit or PC with PowCom™ installed.

5.6 Battery supervision

For systems with symmetry cables supplied:

Set the number of battery strings according to the number of battery strings in the system. The settings are to be made in the control unit via a PC with PowCom™ installed or directly in the controller (if symmetry failure is indicated).

The symmetry fault alarm can be simulated by pulling out one symmetry cable from the battery string. Measure that setting to make sure that it is in accordance with the battery manufacturer's recommendations.

For systems with temp. probe cable supplied:

Temperature compensation is factory pre-set. Check that the temp. probe is activated and verify that the compensation level is in accordance with the battery manufacturer's requirements. (If no compensation level is available from the battery manufacture, UNIPOWER recommends that it is set to 0.5V).

5.7 Battery test

Settings should be made according to the battery manufacturer's requirements, but as a rule of thumb the following settings can be used for standard VR lead batteries:

No. of test pr. year	=	2
U3 Test	=	1,9 V/cell
End voltage b.test	=	1,94V/cell
Batt. test time	=	40% of expected backup time
Ah limit for test	=	40% of nominal battery capacity

Parameters should be set/adjusted from the controller (Battery test menu) or "Supervision - Set parameters" menu in PowCom™.

5.8 Commissioning record

This is a step-by-step commissioning record for easy commissioning of Power Supply Systems. Do not continue if any faults occur during this commissioning. The checkpoints are to be considered as a minimum for commissioning of the system.

		Checked (✓)	Result
1	Check that the rack is level		
2	Check that all breakers are turned to “off” position and that no rectifiers are mounted in the subrack(s).		
3	Connect AC, and measure voltage on the mains input connections in the cabinet, Is to be 230V AC (Measure 230V from phase to N when 400V mains input is used)		L1-N:.....V AC L2-N:.....V AC L3-N:.....V AC
4	Mount the rest of the rectifiers		
5	After connection of battery, verify right polarity by measuring the voltage drop across the battery breakers (normally not more than 5V DC).		
6	Check float charge, U1, and boost charge, U2. It is to be adjusted according to the battery manufacturers requirements.		U1:.....V DC U2:.....V DC
7	Check temperature compensation. It is to be adjusted according to the battery manufacture requirements. Check temperature read from the controller compared to the ambient temperature.		Comp.:.....V/10°C Read off:.....°C
8	Check symmetry measurement and set number of battery strings according to actual number of supervised battery strings in the system.		Number: Alarm limit:.....
9	Check alarm transmission by running an alarm test.		

Table 5-2 Commissioning Record

6.1 Maintenance

6.1.1 Checking Terminal Connection

The connections on the terminal blocks and circuit breakers must be checked according to the Table 6-1 at least once a year.

TYPE OF CONNECTION	MODEL / DESCRIPTION	TORQUE (Nm)	TORQUE (Inch LB)
Terminal block for rail	AKG 16mm ²	2.5	22
Terminal block for rail	AKG 35mm ²	3.5	31
Front terminal for copper cables	FC Cu T2 95mm ²	7.0	62
Terminal block Weidemullers	WDU 4mm	0.6	5
Terminal block Weidemullers	WDU 10mm	2.0	18
Terminal block Weidemullers	WDU 16mm	3.0	27
Miniature circuit breaker	Siemens	2.5	22
Miniature circuit breaker	Merlin G	3.5	31
Miniature circuit breaker	ABB	2.0	18
Miniature circuit breaker	CBI HY-MAG	3.0	27
Molded case circuit breaker	ABB 160A - S2	5.0	45
Molded case circuit breaker	ABB 160A/250A - S3/S4	9.0	80
Molded case circuit breaker	ABB 630A - S6	9.0	80
Molded case circuit breaker	Terasaki - XS125CJ	9.0	80
Connection unit for 2 or 3 pole breaker	Merlin G & Siemens	13.5	120
Terminal Block Phoenix	Phoenix Mini Combicon	0.25	2
Terminal block Phoenix	UK10 / UKLKG10	1.5-1.8	13-16
Terminal block Phoenix	UK16 / USLKG16	1.5-1.8	13-16
Terminal block Phoenix	UK35/UIK35/USKG35/UISKG35	3.2-3.7	28-33
Miniature circuit breaker	Nadar	2.5	22

Table 6-1 Connection Torque Setting Check

6.1.2 Other Requirements

At least once a year the output voltage should be verified to be within acceptable limits. The result of the test should be recorded and filed to see any deviations.

In addition, the system requires periodic inspections and routine cleaning. It is very important to keep the all areas and components of the system free from dust or other unwanted objects to ensure free air circulation and safe operation of the system.

6.2 Troubleshooting

This troubleshooting chapter helps to determine the cause of the problem and suggests possible repair solutions. If the first step of the recommendation does not solve the problem continue to the next one.



NOTE If the malfunctioning of the system persists, please contact UNIPOWER technical support.

NOTE For a description of Alarms and Messages generated by the system controller see the Alarms/Messages section of the appropriate controller manual:



ACC Extended: <http://www.unipowerco.com/pdf/acc-man.pdf>
PCC: <http://www.unipowerco.com/pdf/pcc-man.pdf>

By default, alarms are set to be indicated with a red light (higher priority) and messages with a yellow light (lower priority).

Fault	Possible Cause	Suggestion/Solution
Low System Voltage	Module failure.	Replace faulty module.
	Loss of AC power.	Verify AC input connection.
	Load exceeds module capacity.	Add module to system.
High System Voltage	Module failure.	Replace the faulty module.
	System voltage exceeds the set limit.	Check the High Voltage Alarm limit setting.
Mains Error	AC supply OFF on one rectifier in the system with one plugged in rectifier.	Verify that the AC input breaker is ON.
	AC supply OFF on at least two rectifiers in the system with minimum two plugged in rectifiers.	Verify AC input connection.
AC Low Voltage	AC voltage drops below the set limit.	Verify the Low AC voltage limit setting.
		Verify AC Input connection.
		Verify AC Input voltage.
AC High Voltage	AC voltage rises above the set limit.	Verify the High AC voltage limit.
		Verify the AC Input voltage.

Fault	Possible Cause	Suggestion/Solution
Module Failure	Faulty module. AC OFF on a single rectifier (if more than one rectifier is installed). Rectifier current sharing fault. Low DC output voltage, overvoltage shutdown, module fan failure, module is overheated.	Check if module sends alarm flag. Verify the AC voltage to the failed module. Re-insert the faulty module, wait for 30 seconds Replace the faulty module.
Urgent Module Failure	More than one rectifier is reporting Module failure.	See Module failure alarm.
High Load	Faulty module . Rectifier load current exceeds the set High load limit [%].	Compare the load current with installed rectifier capacity. Add a rectifier or reduce load. Verify the High load limit setting. Replace the faulty module.
Overvoltage Shutdown	Faulty module	Re-insert the module, wait for 5 minutes. Replace the faulty module.
Load/Battery Disconnection	System voltage drops below the set limit. System shutdown.	Check the battery condition. Check the AC mains connection. Check the input breaker. Check the rectifier modules.

Fault	Possible Cause	Suggestion/Solution
Communication Failure	<p>Module failure.</p> <p>Modules not installed in the correct position.</p> <p>Broken or disconnected communication wire.</p>	<p>Check the non-communicating address</p> <p>If the rectifier address does not communicate re-install the module and wait for 5 minutes.</p> <p>Verify that the communication cable is properly connected and it is not damaged. Replace if necessary.</p> <p>If the board address does not communicate, check if it is installed in the system. If it is, replace the board.</p> <p>If there is a non-communicating module or unit, remove the non-communicating address from the controller (Accept removed parts). Do so only if you are sure you do not use them any more.</p> <p>Verify, if the controller is operating properly. If not, replace the controller.</p>
Distribution Fuse Failure	<p>Tripped load breaker / blown load fuse.</p>	<p>Verify there is no short circuit in load cabling.</p> <p>Reset the breaker, if it trips again, there is a problem with the load or a breaker itself.</p> <p>Replace the breaker / fuse if necessary.</p>
Battery Fuse Failure	<p>Tripped load breaker / blown load fuse</p>	<p>Verify there is no short circuit in load or battery cabling.</p> <p>Verify the breaker / fuse is correctly rated.</p> <p>Reset the breaker, if it trips again, there is a problem with the load or battery or a breaker itself.</p> <p>Replace the breaker / fuse if necessary.</p>

Fault	Possible Cause	Suggestion/Solution
Symmetry Fault	Battery at end of life. Wrong symmetry cable connection. Wrongly set Symmetry limit value.	Verify the battery condition. Verify the symmetry cable connection. Verify the Symmetry limit value.
Low Battery Temperature	Battery temperature drops below the set Low battery temperature limit.	Check the heating of the system. Check the ambient temperature (it should not be lower than recommended battery temperature).
high Battery Temperature	Battery temperature exceeded the set limit.	Check the cooling or ventilation. Verify the battery condition. Check the Battery Current Limit.
Temp. Probe Failure	The temperature probe is not properly connected to the system. Faulty temperature probe. Temperature probe wire is interrupted. Temperature difference between the controller temperature and the probe temperature is greater than 60°C.	Verify the temperature probe connection. Verify the internal / external temperature via controller front panel. Replace the faulty probe with a new one. Identify the root cause of the hot environment at the batteries and/or controller.
Alarms Blocked (only with LCD display)	Alarm is manually activated by the serviceman on the site (used during system servicing, no other alarm is displayed)	Needs to be manually turned OFF to allow the alarms to be displayed

If none of the above solves the problem please contact customer support.

To phone us please visit <http://www.unipowerco.com/contact/> and select Customer “Support/ Repairs” and then “Customer Service” where you will find the correct phone number for your region.

Alternatively, email:

Region	Email Address
Asia/Pacific	Sales-Asia@unipowerco.com
Europe, Middle East and Africa	Sales-NorthAmerica@unipowerco.com
The Americas and Caribbean	Sales-NorthAmerica@unipowerco.com

7.1 Controller Replacement

A faulty Controller can be easily replaced with a new one:

1. Loosen the front screw in the top left corner of the controller front panel using a flat screwdriver, Figure 7-1 (1).

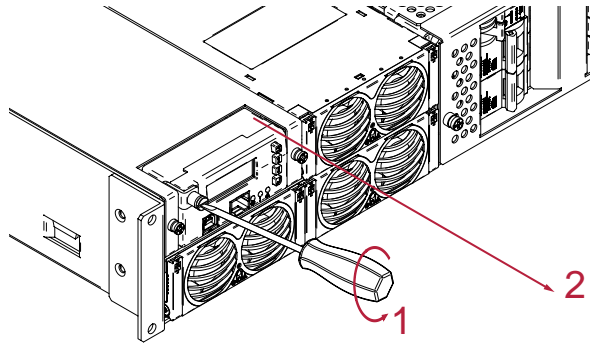


Figure 7-1 Unlocking and Removing the Controller

2. Pull the controller out of the shelf, Figure 7-1 (2).
3. Reverse the process to insert the new controller into the empty slot and fasten the screw.



CAUTION After controller start-up, verify if the appropriate configuration file is uploaded to the controller. If necessary refer to the [PowCom™ User Guide](#).

7.2 Rectifier Replacement



NOTE Rectifiers can be hot-swapped.

This section describes how to replace a faulty rectifier in an active system.

1. Release the rectifier handles and remove the faulty rectifier.
2. Insert the new rectifier into the slot and fasten it with the handles. Refer to section 4.12 of this manual for details.
3. Ignore the module alarm caused by current sharing.
4. After 1 minute the yellow LED starts blinking. Wait for a maximum of 4 minutes for the indicator to stop blinking.

7.3 Battery and Load Breakers Replacement



WARNING Make sure the system is switched OFF.

The power rack is designed front accessible for easy maintenance. Battery and load breakers can be replaced without removing the power rack from the cabinet.

This section describes how to replace faulty breakers.

1. Remove the front panel and the top cover as described in section 4.3.1.
2. Pull out the faulty breaker(s).
3. Install the correct breakers.
4. Replace the front panel and the top cover as described in section 4.13.

7.4 Surge Protection Device Replacement

This section describes how to replace a faulty surge protection module.

1. Switch off AC input power.
2. Remove the top cover if the Rear and Top Cover Kit is installed.
3. Unscrew the retaining screw (1) and pull out the alarm interface board kit (2).
4. Pull out the failed surge protection module(3).

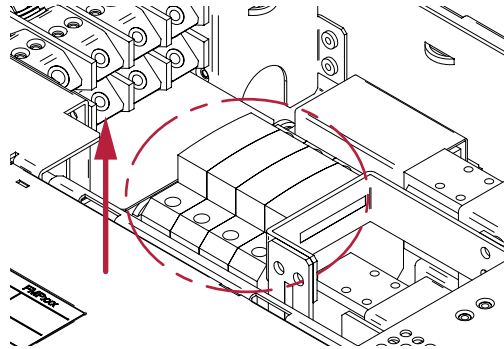


Figure 7-2 Replacing a Surge Protection Module

5. Insert a new surge protection module into the corresponding position.
6. Reinstall the alarm interface board kit and fasten the retaining screw.
7. Reinstall the top cover of power system.
8. Switch on AC input power.

This document is believed to be correct at time of publication and UNIPOWER LLC accepts no responsibility for consequences from printing errors or inaccuracies. Specifications are subject to change without notice.

A.1 System Layout

Dimensions: 2U x 19"

CONTROLLER:
ACC or PCC (w/Ethernet) with Display

RECTIFIERS:
3 x Guardian 48V

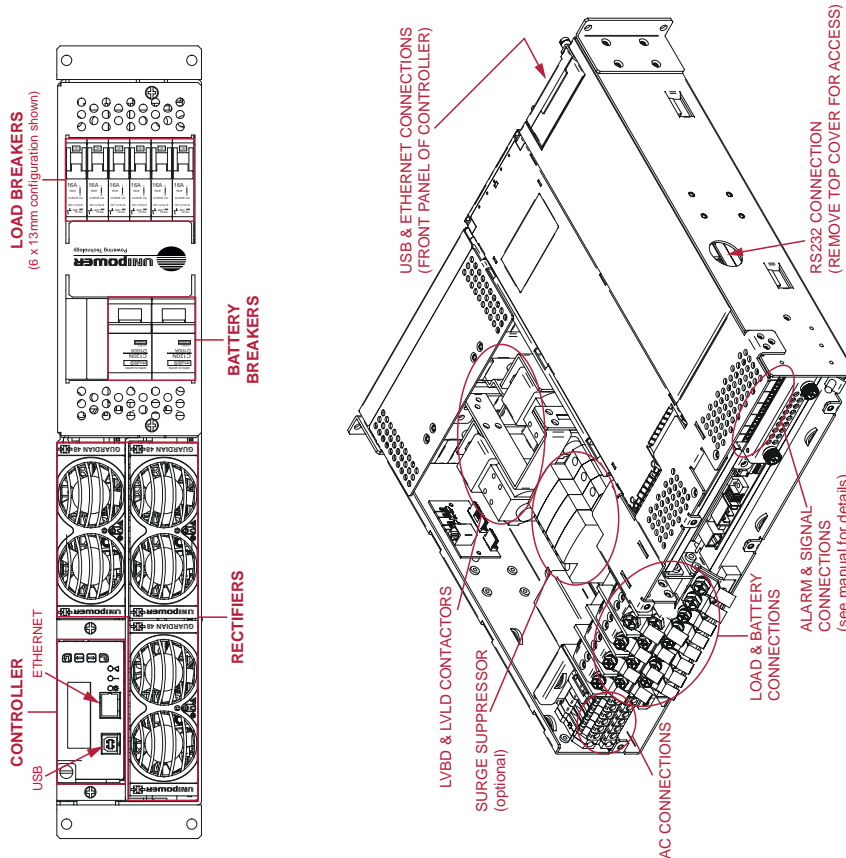
AC Distribution:
3-phase 3+1, Class C SPD optional

DC Distribution:
The Front panel MCB is internally connected to the Rear DC Connection terminal

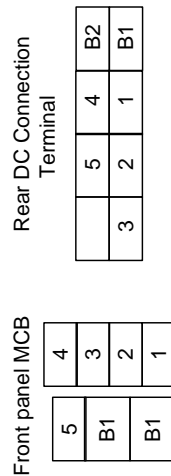
LVD:
125A 48V
OR
Dummy LVD kits

PLD:
125A 48V

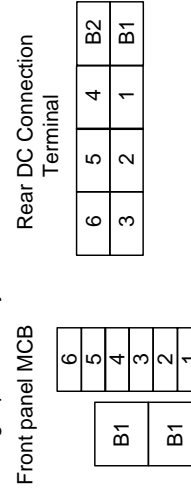
System Layout



(1) 2 x single pole battery breakers, 18mm load breakers



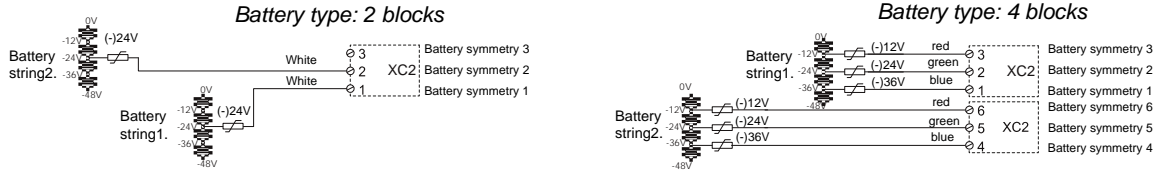
(2) 2 x single pole battery breakers, 13mm load breakers



A.2 Installation Details - Connections

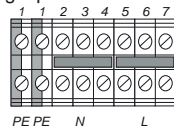
Symmetry cable connections

Table shows different ways of battery symmetry cable connections depending on actual software (see controller software sheet)

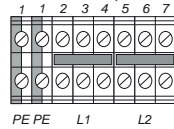


Input mains terminals

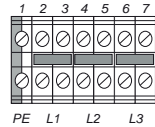
single phase 120/230VAC



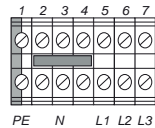
2-phase 240VAC (N.A. / CALA)



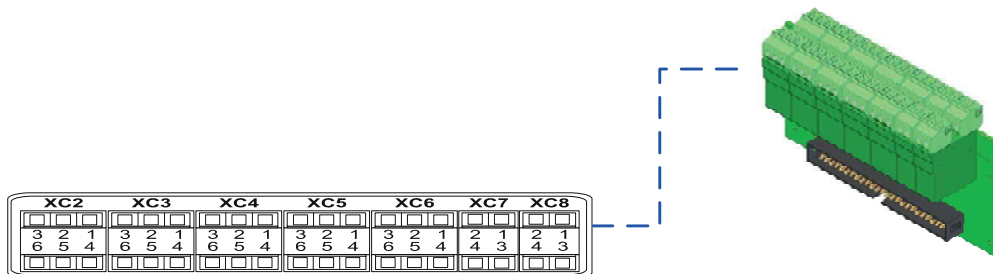
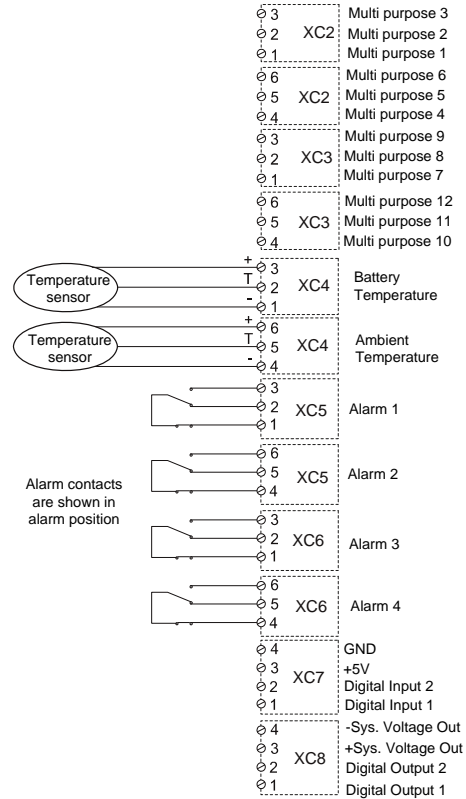
3-phase 208/230VAC
(Δ connection)



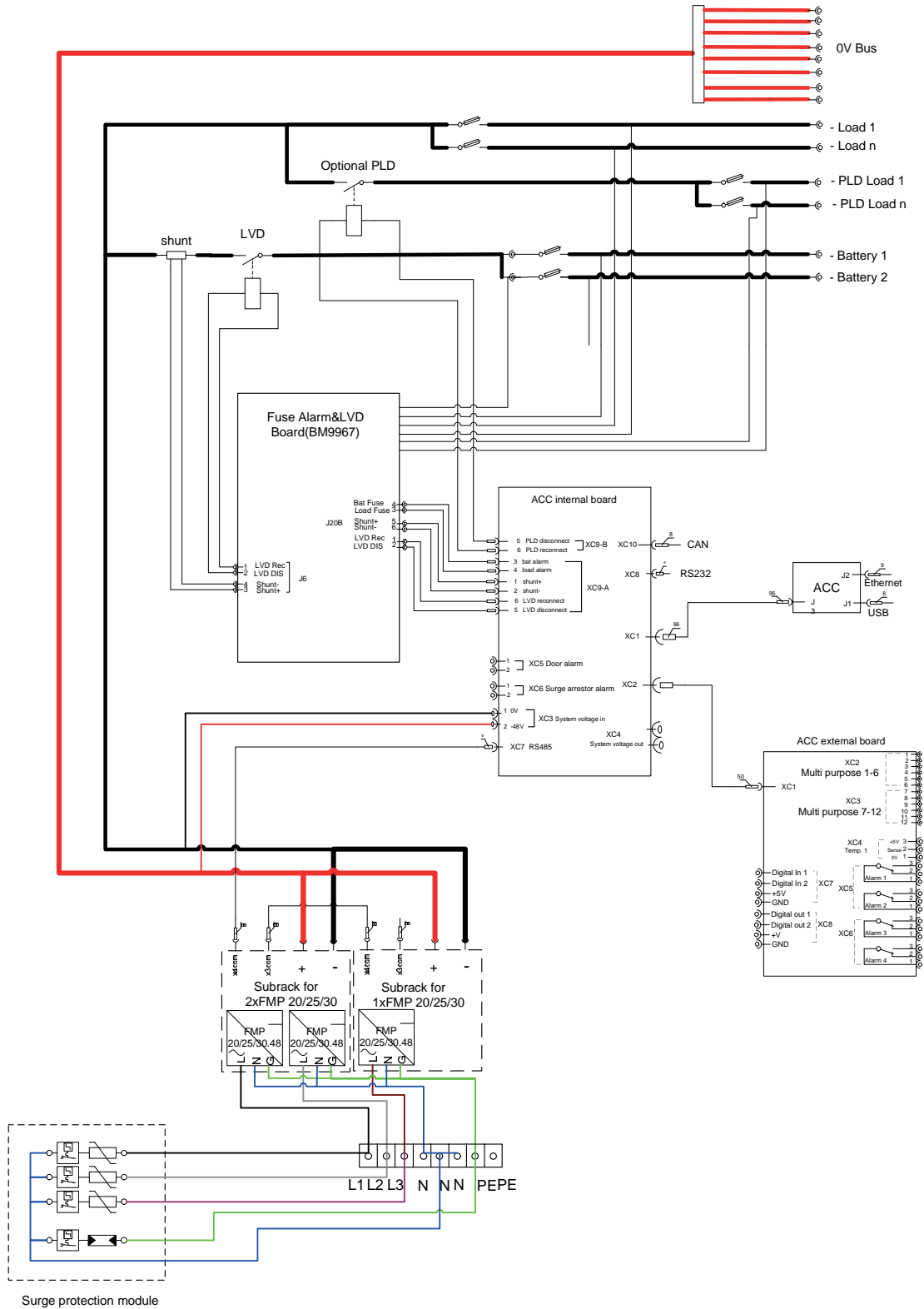
3-phase 400VAC
(Y connection)



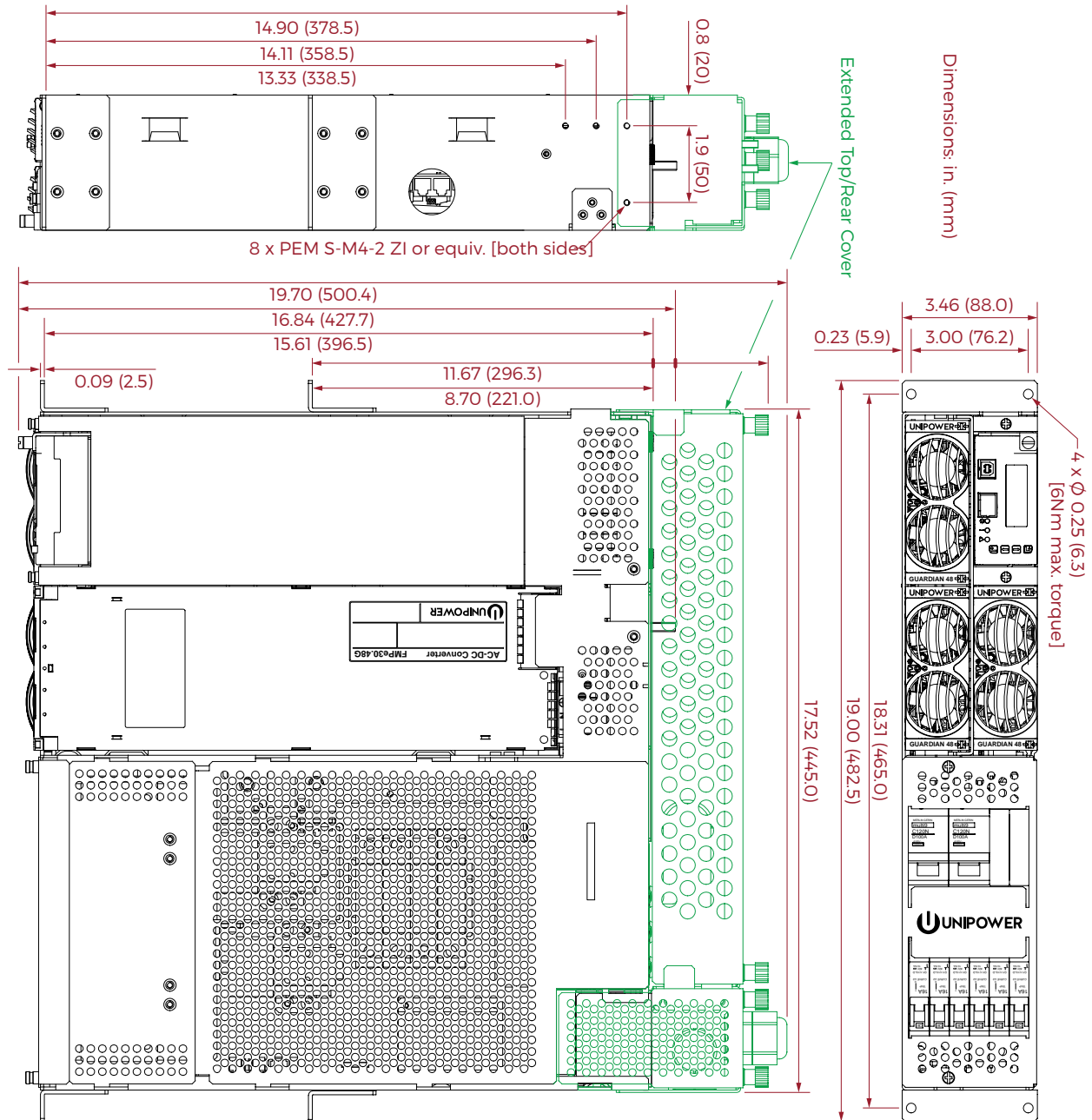
ACC Standard Alarm interface



A.3 Block Diagram



A.4 Detailed Dimensions



Note: Extended Cover details are shown in green.